

systemtronic
datasheet CROMA TROLLEY



General description:

It boasts two shelves joined by a solid ash arch and an aluminum frame which can be requested in chrome plating or painted in any of the colors from the collection. Its large wheels, also in ash, make it easier to move around while also enhancing its playful geometry.

Designer: Lagranja Design.

Year of launch: 2023.



Technical description:

Materials:

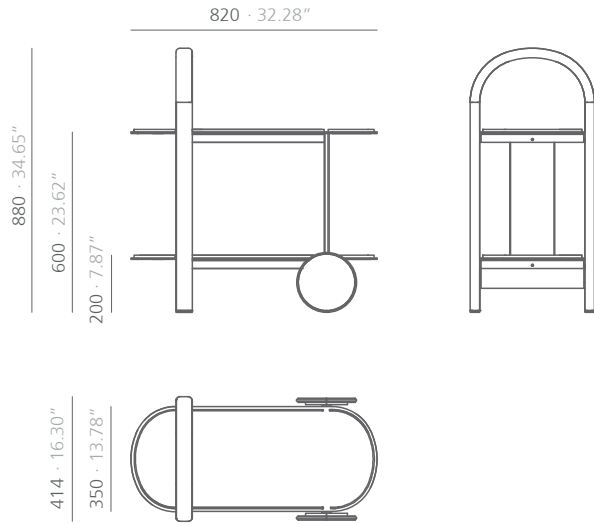
Structure: lacquered aluminium.

Shelf: lacquered aluminium.

Legs: lacquered aluminium / chrome-plated aluminium.

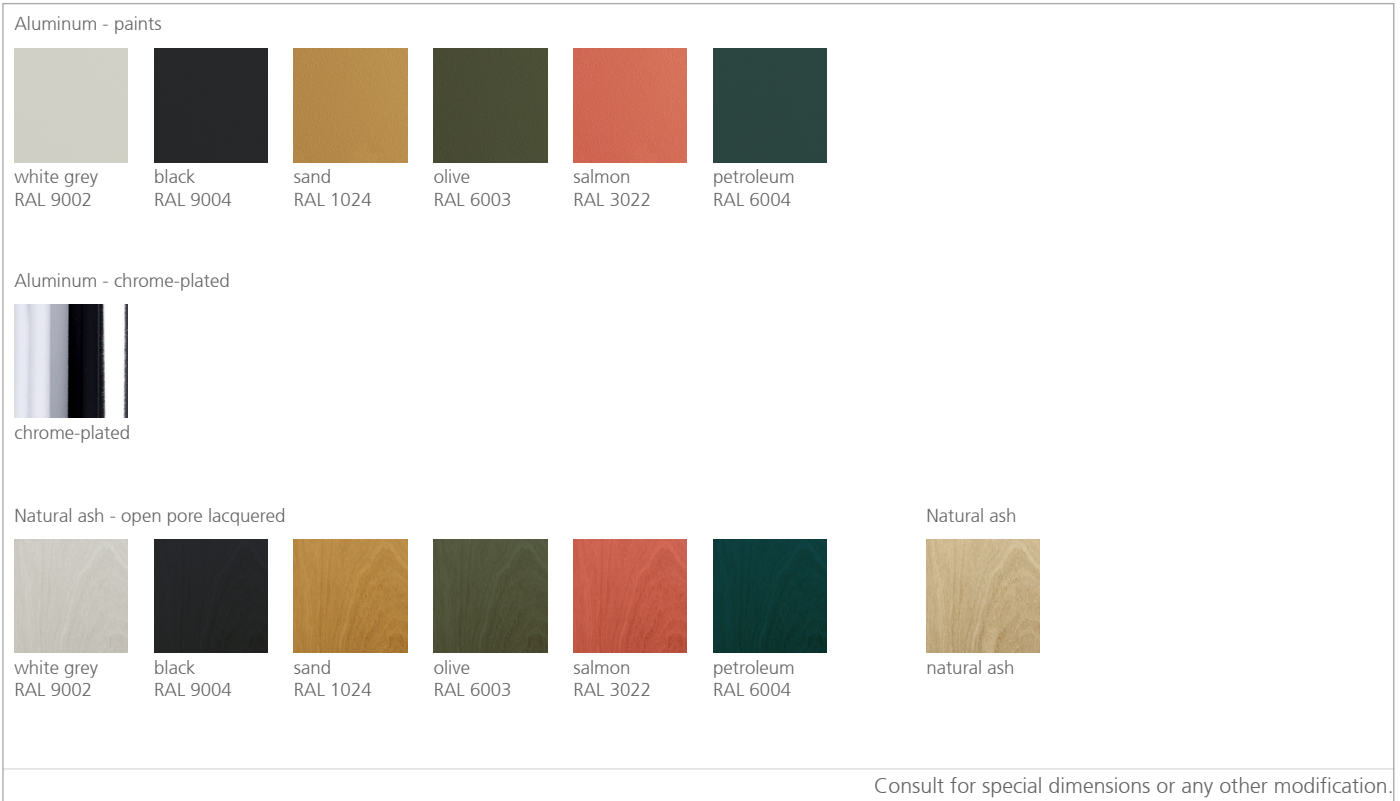
Bar: natural ash / lacquered ash.

Dimensions: 820x414x880 mm 32.28x16.30x34.65"



mm · inches

Finishes:



*Polyester paint

Maintenance:

-Polyester Paint:

For dry dirt (dust), use a damp cloth. For greasy/oily stains (fingerprints), wipe with a sponge with water and dishwashing liquid. Rinse with a damp cloth. Avoid using products containing solvents and/or pure ethyl alcohol.

Sustainability:

The Croma collection is committed to sustainability and the preservation of the environment, which is why it uses responsible materials that minimize our impact on the planet. The aluminum used in the collection is 100% recyclable and contains at least 25% recycled material. By using aluminum in our collection, we ensure that items are durable and have a long lifespan, thus reducing the need for short-term replacement. On the other hand, ash wood is a responsible choice due to its renewable origin and its ability to capture and store carbon. Ash is a fast-growing type of wood that is grown sustainably. By using ash wood in our collection we promote the conservation of forests. The incorporated fabrics are composed of 20% recycled fiber. Used paints do not contain solvents, do not consume water and do not generate emissions or discharges. The result is a lower environmental impact.