

systemtronic
datasheet SHELVING



General description:

The shelves and uprights are made of aluminum, while the arches are made of natural ash.

Designer: Lagranja Design.

Year of launch: 2024.



Technical description:

Materials:

Shelves: lacquered aluminum / lacquered aluminum + natural or lacquered ash veneer.

Uprights: lacquered aluminum.

Arches: natural or lacquered ash.

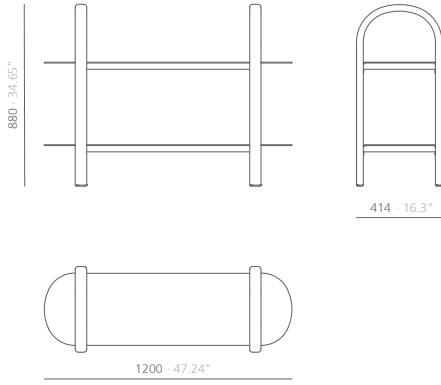
Dimensions:

Shelving S: 1200x414x880 mm 47.24x16.3x34.65"

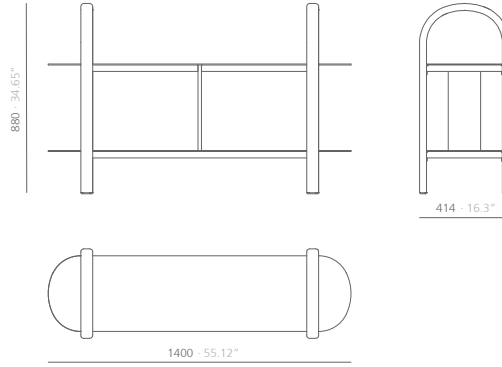
Shelving M: 1400x414x880 mm 55.12x16.3x34.65"

Shelving L: 1400x414x1180 mm 55.12x16.3x46.46"

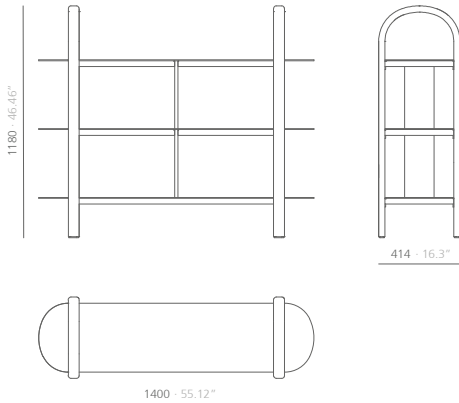
SHELVING S



SHELVING M



SHELVING L



mm · inches

Finishes:

*Polyester paint

Maintenance:-Polyester Paint:

For dry dirt (dust), use a damp cloth. For greasy/oily stains (fingerprints), wipe with a sponge with water and dishwashing liquid. Rinse with a damp cloth. Avoid using products containing solvents and/or pure ethyl alcohol.

Sustainability:

The Cromia collection is committed to sustainability and the preservation of the environment, which is why it uses responsible materials that minimize our impact on the planet. The aluminum used in the collection is 100% recyclable and contains at least 25% recycled material. By using aluminum in our collection, we ensure that items are durable and have a long lifespan, thus reducing the need for short-term replacement. On the other hand, ash wood is a responsible choice due to its renewable origin and its ability to capture and store carbon. Ash is a fast-growing type of wood that is grown sustainably. By using ash wood in our collection we promote the conservation of forests. The incorporated fabrics are composed of 20% recycled fiber. Used paints do not contain solvents, do not consume water and do not generate emissions or discharges. The result is a lower environmental impact.