

systemtronic
datasheet PLANTERS



General description:

Made of aluminum and available in three different sizes, with capacities of 15, 36, and 40 liters.

Designer: Lagranja Design.

Year of launch: 2024.



Technical description:

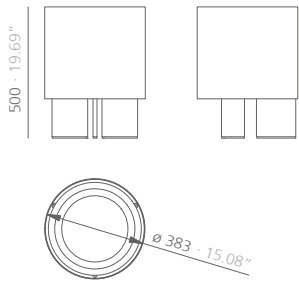
Materials:

Structure: lacquered aluminum.
Inner bowl: plastic.

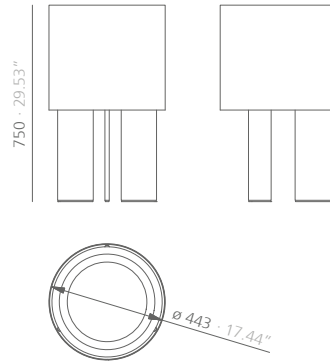
Dimensions:

Planter S: 383x383x500 mm 15.08x15.08x19.69"
Planter M: 443x443x750 mm 17.44x17.44x29.53"
Planter L: 518x518x565 mm 20.39x20.39x22.24"

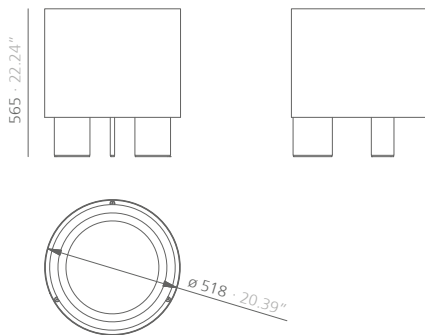
PLANTER S



PLANTER M



PLANTER L



mm · inches

Finishes:

Aluminum - paints					
					
white grey RAL 9002	black RAL 9004	sand RAL 1024	olive RAL 6003	salmon RAL 3022	petroleum RAL 6004
Consult for special dimensions or any other modification.					

*Polyester paint

Maintenance:

-Polyester Paint:

For dry dirt (dust), use a damp cloth. For greasy/oily stains (fingerprints), wipe with a sponge with water and dishwashing liquid. Rinse with a damp cloth. Avoid using products containing solvents and/or pure ethyl alcohol.

Sustainability:

The Croma collection is committed to sustainability and the preservation of the environment, which is why it uses responsible materials that minimize our impact on the planet. The aluminum used in the collection is 100% recyclable and contains at least 25% recycled material. By using aluminum in our collection, we ensure that items are durable and have a long lifespan, thus reducing the need for short-term replacement. On the other hand, ash wood is a responsible choice due to its renewable origin and its ability to capture and store carbon. Ash is a fast-growing type of wood that is grown sustainably. By using ash wood in our collection we promote the conservation of forests. The incorporated fabrics are composed of 20% recycled fiber. Used paints do not contain solvents, do not consume water and do not generate emissions or discharges. The result is a lower environmental impact.