

CM22D Screwed to table.
The table needs to be drilled.

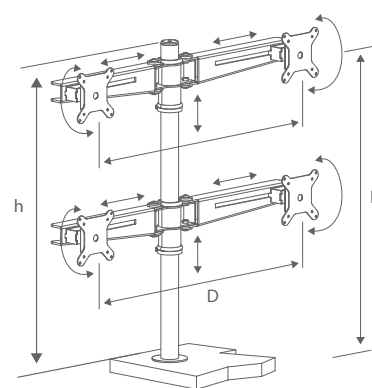
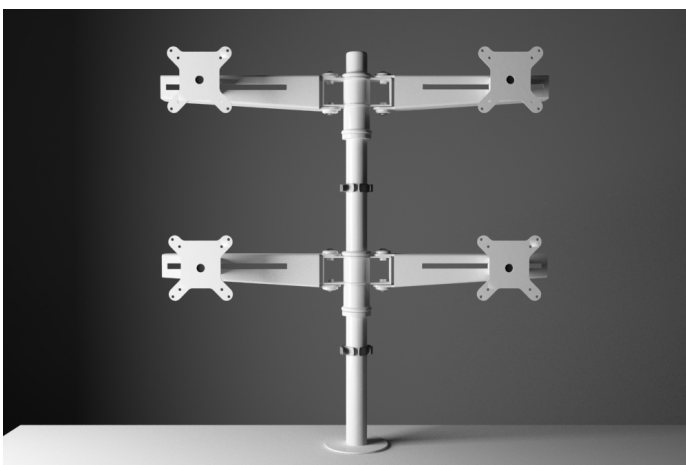
CM22B Column on metal base.
The table is not drilled.

CM22M Column with clamp.
The table is not drilled.

surface (mm)	height (mm)		maximum load (kg)
	H: max 346 med 306 min 266	h: 381 D: max 642 min 297	
maximum 2 23"monitor			20 total
Board thickness: min 19 mm - max 45 mm			

surface (mm)	height (mm)		maximum load (kg)
	H: max 349 med 309 min 269	h: 384 D: max 642 min 297	
maximum 2 23"monitor			20 total

surface (mm)	height (mm)		maximum load (kg)
	H: max 351 med 311 min 271	h: 386 D: max 642 min 297	
maximum 2 23"monitor			20 total
Board thickness: min 19 mm - max 50 mm			



CM22D/2 Screwed to table.
The table needs to be drilled.

surface (mm)	height (mm)	maximum load (kg)
maximum 4 23"monitor	H: max 697 h: 729 D: max 642 - min 297	20 total
Board thickness: min 19 mm - max 52 mm		

Technical characteristics:

CM22 is a desktop stand for computer monitors that comply with the VESA75 and VESA100 standard.

The CM22D model is fixed to the table by means of a steel disc and, by screwing, it is necessary to drill holes in the table top.

The CM22B model is supported on a 3mm steel plate base.

The CM22M model is fixed to the table by means of a steel clamp. To fix them to the table there is a plastic knob and a threaded shaft with a washer for greater comfort when tightening.

The CM22D/2 model is fixed to the table by means of a steel disc and, by screwing, it is necessary to drill holes in the table top.

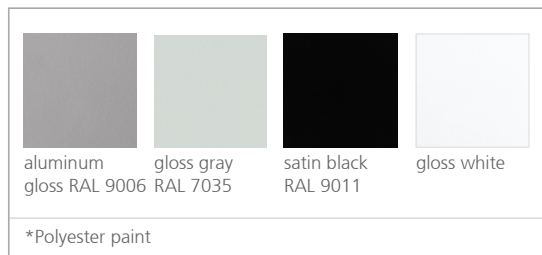
The column with a diameter of 40 mm is made of cold-rolled steel. The height of the arms made of folded steel plate is regulated along it. The column also includes a cable gland.

The arms are adjusted in height by means of a pin-like screw.
The distance between regulations is 40 mm.

All arms have a horizontally adjustable monitor holder.
In addition, the set includes a ball joint through which we can orient the monitor to taste and a star-shaped bracket to the monitor that complies with the vesa75 and vesa100 standard.

Parts coating, fireproof polyester paint in aluminum, white or black. Consult other colors.

Finishes:



Consult for special dimensions or any other modification.

Maintenance:

-Polyester paint:

For dry dirty (dust), a cloth moistened with water is recommended.

For greasy / greasy dirty (traces), it is recommended to sponge with water and liquid dish detergent (Vim liquid) and then with a cloth moistened with water.

The use of detergents containing solvents and / or pure ethyl alcohol should be avoided.

-Aluminum-metal-glass-melamine-plastic material:

The use of normal products in commerce is recommended for delicate surfaces.

Absolutely alcohol, solvents and abrasive detergents should be avoided.

Sustainability:

Manufacturing materials are 100 % recyclable. The used paints do not contain solvents, do not consume water and do not generate emissions or waste. The result is a lower environmental impact.