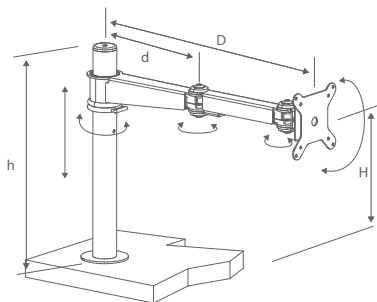
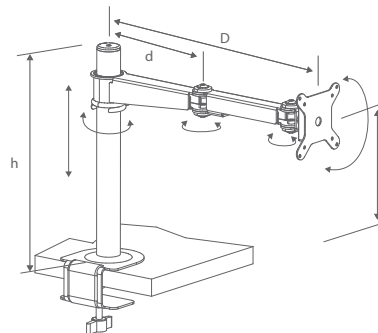


CM12D



CM12M



surface (mm)	height (mm)	maximum load (kg)
maximum 1 23" monitor	H: min 270 - max 350 h: 369 D: 450 d: 202	20 total
Board thickness: min 19 mm - max 52 mm		

surface (mm)	height (mm)	maximum load (kg)
maximum 1 23" monitor	H: min 272 - max 352 h: 369 D: 450 d: 202	20 total
Board thickness: min 19 mm - max 52 mm		

**Technical characteristics:**

CM12 is a tabletop holder for computer monitors that comply with the VESA75 and VESA100 standards.

The CM12D model is fixed to the table by means of a steel disk and screwed.

The CM12M model is fixed to the table by means of a steel clamp, with a maximum opening of 65mm and a minimum of 16mm. To fix them to the table there are some plastic pieces and a threaded shaft for greater comfort in tightening and avoiding marks.

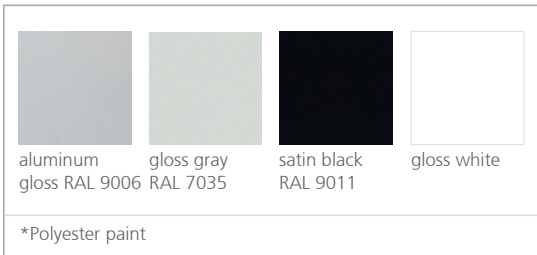
The column with a diameter of 40mm is made of cold-rolled steel. The single-jointed arms, made of folded steel plate, are adjustable in height. The column also includes a cable gland.

The arms are regulated by means of a clamping clamp as a pin. They have a simple hook system inside to hold the cables and keep them from hanging.

All the arms have a "u" shaped support for the monitor wrapping the end of the arm, by means of which we achieve the desired rotary movement to orient the monitor. Along with the "u" -shaped piece, there is a star-shaped bracket for the monitor.

Parts coating, fireproof polyester paint in aluminum, white or black. Consult other colors.

## Finishes:



Consult for special dimensions or any other modification.

## Maintenance:

### -Polyester paint:

For dry dirty (dust), a cloth moistened with water is recommended.

For greasy / greasy dirty (traces), it is recommended to sponge with water and liquid dish detergent (Vim liquid) and then with a cloth moistened with water.

The use of detergents containing solvents and / or pure ethyl alcohol should be avoided.

### -Aluminum-metal-glass-melamine-plastic material:

The use of normal products in commerce is recommended for delicate surfaces.

Absolutely alcohol, solvents and abrasive detergents should be avoided.

## Sustainability:

Manufacturing materials are 100% recyclable. The used paints do not contain solvents, do not consume water and do not generate emissions or waste. The result is a lower environmental impact.