

systemtronic

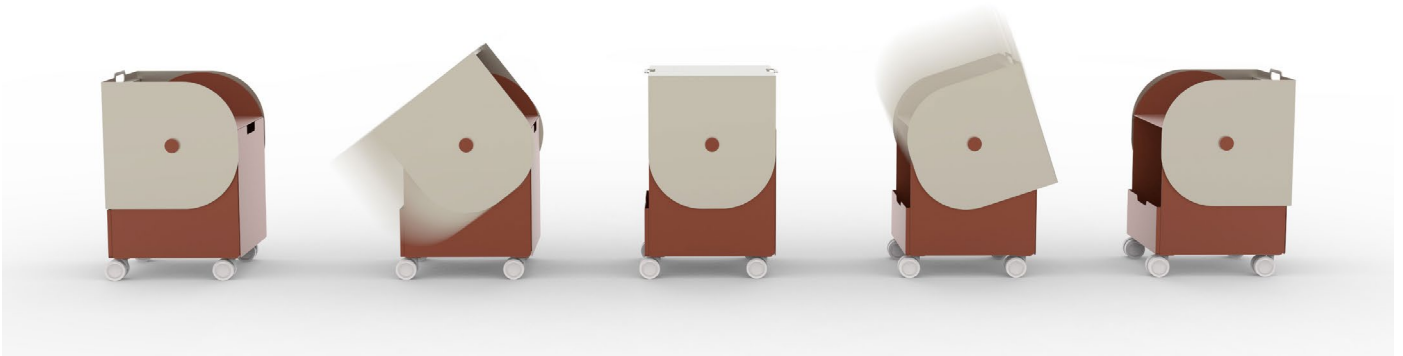
datasheet FLIP



General description:

Flip is a versatile and functional side cart, equipped with four Ø 65 mm wheels that ensure smooth and stable movement. Its mobile aluminum lid can be positioned in three different ways, while the steel structure integrates a swing-out file compartment that optimizes storage. A practical and robust solution for dynamic and professional spaces.

Designers: Cristina Acevedo, Elena Carmona, Miranda Prats and Álvaro Martínez.
Launch year: 2025.



Technical description:

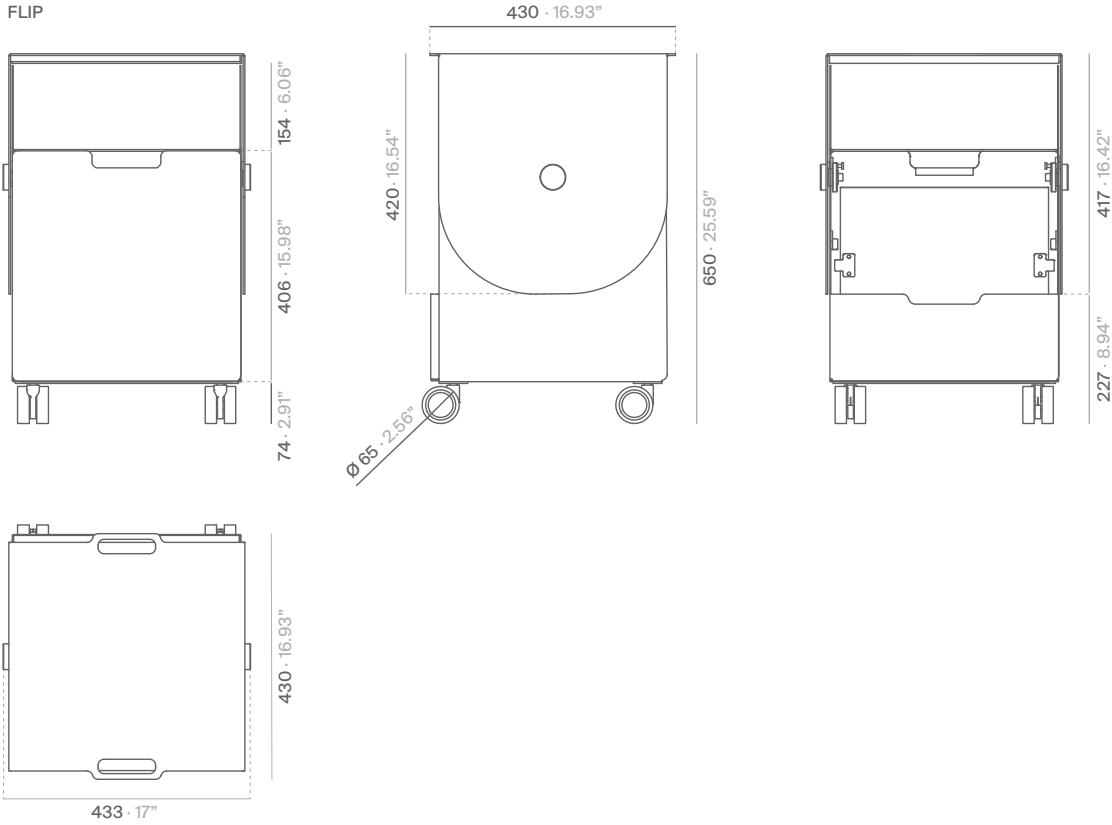
Materials:

Structure and trim: Steel.
Lid: Aluminum.

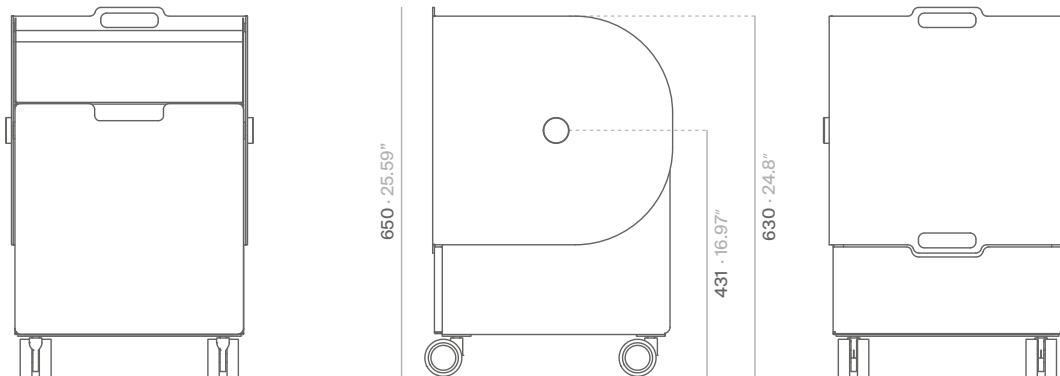
Dimensions:

433x650x430 mm 17x25.59x16.93" (with lid raised)
433x650x430 mm 17x25.59x16.93" (with lid lowered)

With lid raised:



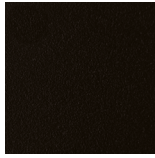
With lid lowered:



mm · inches

Finishes:

Textured white grey
RAL 9002



Textured black
RAL 9011



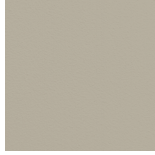
Textured beige red
RAL 3012



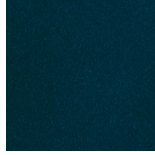
Textured copper
brown RAL 8004



Textured grey beige
RAL 1019



Textured pebble
grey RAL 7032



Textured blue
RAL 5011



Textured silver grey
RAL 7001

Polyester paint.

Consult for special dimensions or any other modification.

Maintenance:

Polyester powder coating:

For dry dirt (dust), use a cloth dampened with water.

For greasy/oily dirt (fingerprints), use a sponge with water and liquid dish detergent (Vim liquid), then wipe with a cloth dampened with water.

Avoid using detergents containing solvents or pure ethyl alcohol.

Aluminium–metal–glass–melamine–plastic materials:

The use of standard commercially available products for delicate surfaces is recommended.

Alcohol, solvents, and abrasive detergents must be strictly avoided.

Sustainability:

The materials used in manufacturing are 100% recyclable. The paints used contain no solvents, do not consume water, and do not generate emissions or discharges. The result is a reduced environmental impact.