

systemtronic

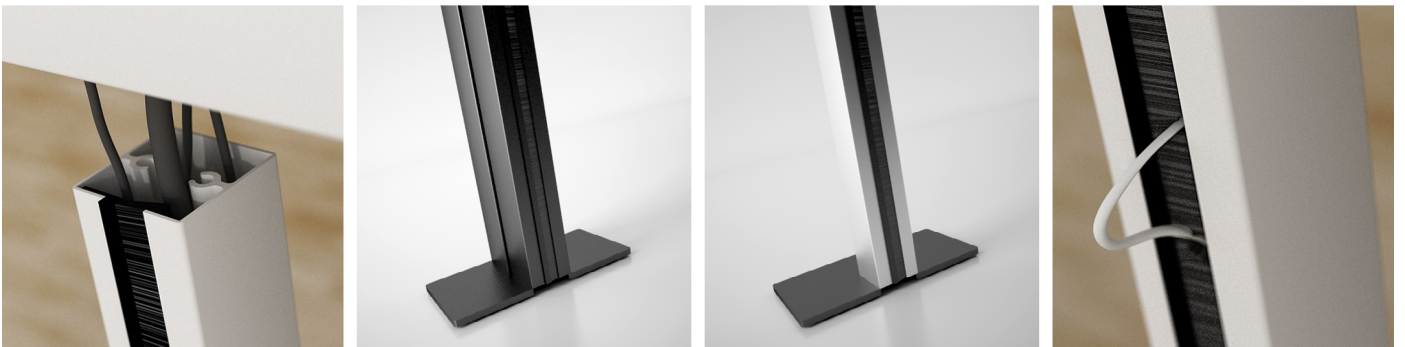
datasheet WIRE



General description:

Self-supporting aluminum column for cable management, available in two versions: single or double. It includes a black brush on the side that allows cables to be easily inserted and removed. Its base is designed for installations with raised access floors.

Designers: STC Studio.
Year of launch: 2010.



systemtronic _ WIRE
www.st-systemtronic.com
comercial@st-systemtronic.com
tel. +34 961 852 784

ASSOCIATED N°00320

AIDIMME
INSTITUTO TECNOLÓGICO

METALMECÁNICO, MUEBLE, MADERA, EMBALAJE Y AFINES



Calidad Controlada

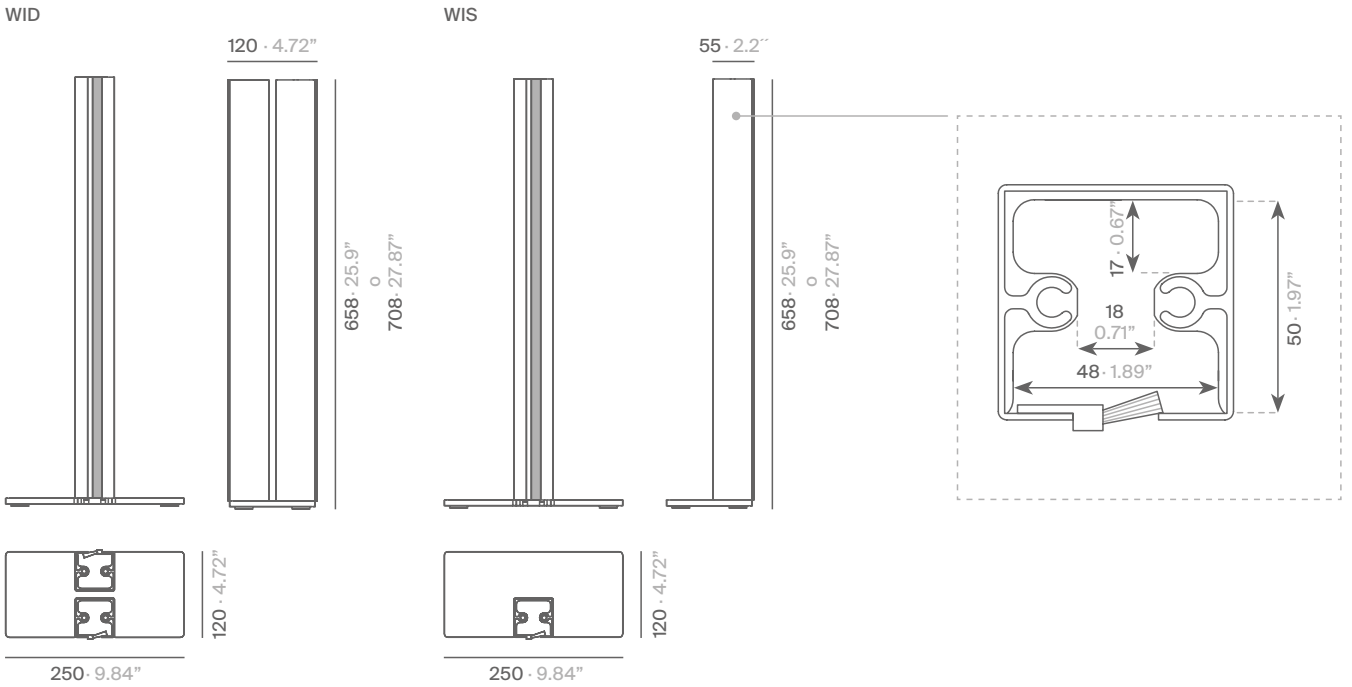
Technical description:

Materials:

Column: Aluminum.
Base: Steel.

Dimensions:

250x120x658 mm 9.84x4.72x25.9"
250x120x708 mm 9.84x4.72x27.87"



mm · inches

Finishes:

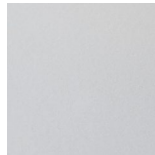
Base



Matte white
RAL 9003

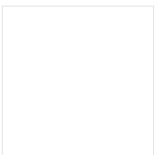


Satin black
RAL 9011



Aluminum gloss
RAL 9006

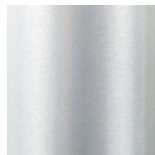
Column



Matte white
RAL 9003



Satin black
RAL 9011



Anodized aluminum

Polyester paint.

Consult for special dimensions or any other modification.

Maintenance:

Polyester powder coating:

For dry dirt (dust), use a cloth dampened with water.

For greasy/oily dirt (fingerprints), use a sponge with water and liquid dish detergent (Vim liquid), then wipe with a cloth dampened with water.

Avoid using detergents containing solvents or pure ethyl alcohol.

Aluminum–metal–glass–melamine–plastic materials:

The use of standard commercially available products for delicate surfaces is recommended.

Alcohol, solvents, and abrasive detergents must be strictly avoided.

Sustainability:

The materials used in manufacturing are 100% recyclable. The paints used contain no solvents, do not consume water, and do not generate emissions or discharges. The result is a reduced environmental impact.