

systemtronic
datasheet CPU STC



General description:

The CPUSTC support is part of the "office set" Systemtronic, a number of accessories that allow the organization of the elements of office workspaces. CPUSTC is screwed to the table and supports the computer tower, so the set is hanged.

Designer: STC Studio.

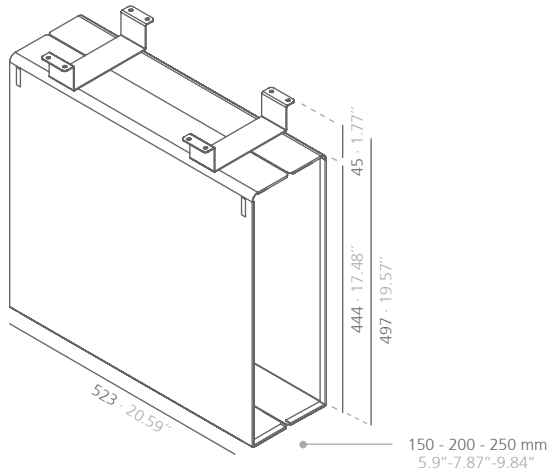
Year of launch: 2007.

Technical description:

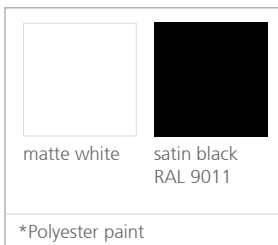
Material: Steel.

Dimensions: 523x497x150-250 mm 20.59x19.57x5.9-9" .

CPUSTC



mm · inches

Finishes:

Consult for special dimensions or any other modification.

Maintenance:

-Polyester Paint:

For dry dirt (dust), use a damp cloth. For greasy/oily stains (fingerprints), wipe with a sponge with water and dishwashing liquid.

Rinse with a damp cloth. Avoid using products containing solvents and/or pure ethyl alcohol.

Sustainability:

Manufacturing materials are 100 % recyclable. The used paints do not contain solvents, do not consume water and do not generate emissions or waste. The result is a lower environmental impact.