

# systemtronic datasheet CPU Support



### General description:

The CPU holder is part of the "office set" by Systemtronic, a series of accessories that allow for the organization of office elements in workspaces. The CPU holder can contain the computer tower, either in its version with wheels or hanging.

Designer: STC Studio.

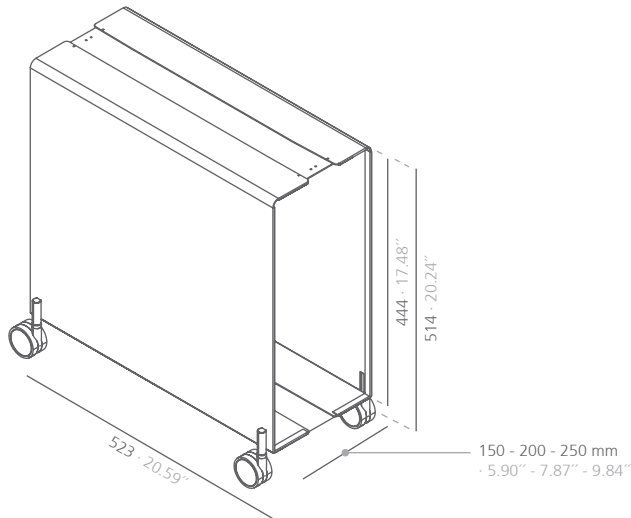
Year of launch: 2007.

### Technical description:

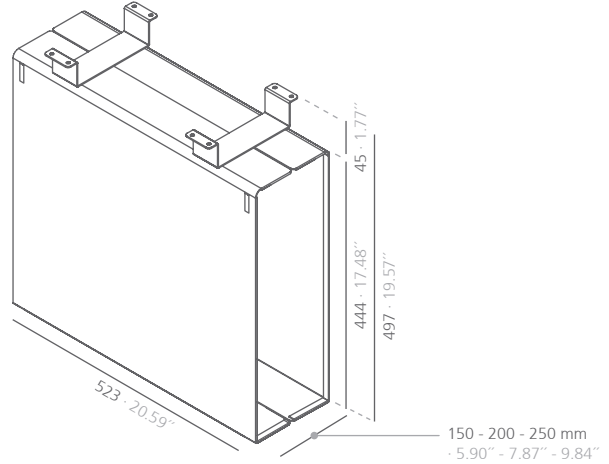
Material: Steel.

Dimensions: CPURD\_523x514x150-250 mm 20.59x20.24x5.9-9.84" / CPUSTC\_523x497x150-250 mm 20.59x19.57x5.9-9.84".

CPURD

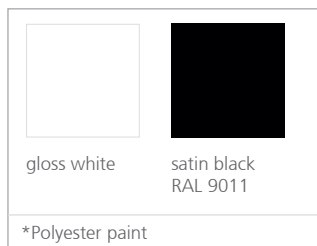


CPUSTC



The wheels do not have brakes.  
mm · inches

### Finishes:



Consult for special dimensions or any other modification.

### Maintenance:

#### -Polyester Paint:

For dry dirt (dust), use a damp cloth. For greasy/oily stains (fingerprints), wipe with a sponge with water and dishwashing liquid. Rinse with a damp cloth. Avoid using products containing solvents and/or pure ethyl alcohol.

#### -Aluminum-metal-glass-melamine-plastic:

We recommend using normal cleaning products for delicate surfaces. Alcohol, solvents and abrasive agents must be avoided.

### Sustainability:

Manufacturing materials are 100 % recyclable. The used paints do not contain solvents, do not consume water and do not generate emissions or waste. The result is a lower environmental impact.