

systemtronic  
datasheet CPURD



General description:

The CPURD support, is part of the "office set" Systemtronic, a number of accessories that allow the organization of the elements of office workspaces. CPURD contains the computer tower and allows its mobility.

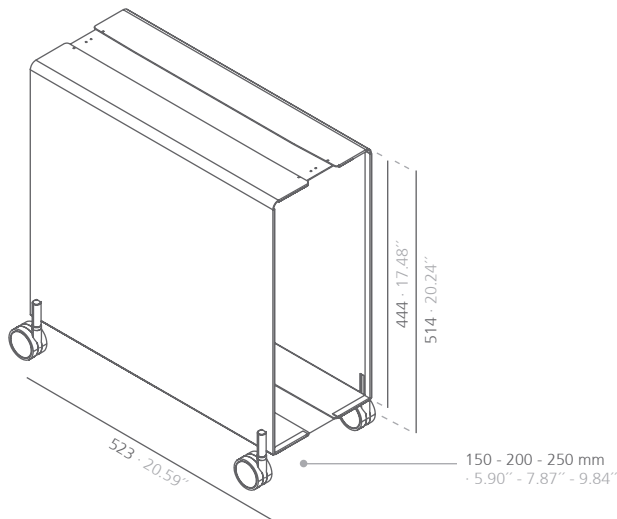
Designer: STC Studio

Technical description:

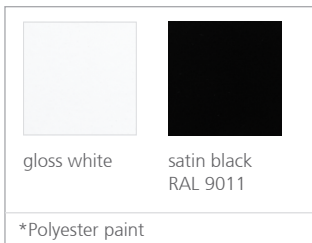
Material: Steel

Dimensions: 523x514x150-250 mm 20.59x20.24x5.9-9.84"

CPURD



The wheels do not have brakes.  
mm · inches

Finishes:

Consult for special dimensions or any other modification.

Maintenance:-Polyester Paint:

For dry dirt (dust), use a damp cloth. For greasy/oily stains (fingerprints), wipe with a sponge with water and dishwashing liquid. Rinse with a damp cloth. Avoid using products containing solvents and/or pure ethyl alcohol.

-Aluminum-metal-glass-melamine-plastic:

We recommend using normal cleaning products for delicate surfaces. Alcohol, solvents and abrasive agents must be avoided.

Sustainability:

Manufacturing materials are 100 % recyclable. The used paints do not contain solvents, do not consume water and do not generate emissions or waste. The result is a lower environmental impact.

systemtronic \_CPURD  
www.st-systemtronic.com  
nacional@st-systemtronic.com · export@st-systemtronic.com  
tel. 96-1852784 · fax.34-961854482

ASSOCIATED N°00320

**AIDIMME**  
INSTITUTO TECNOLÓGICO

METALMECÁNICO, MUEBLE, MADERA, EMBALAJE Y AFINES



Calidad Controlada