

systemtronic  
datasheet OMEGA



General description:

The OMEGA Cable grommets is part of the "office set" Systemtronic, a number of accessories that allow the organization of the elements of office workspaces. Omega guides the cables under the table.

Designer: STC Studio.

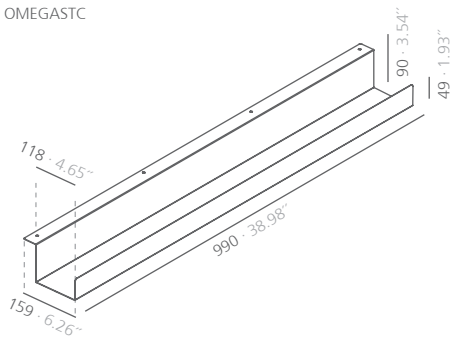
Year of launch: 2013.

Technical description:

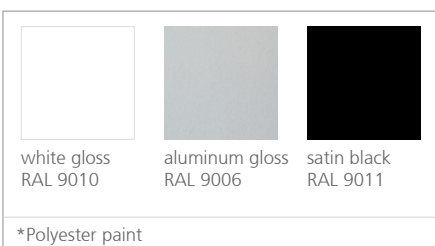
Material: Steel.

Dimensions: 90x159x990mm 3.54x6.26x38.98"

OMEGASTC



mm and inches

Finishes:

Consult for special dimensions or any other modification.

systemtronic \_ Omega  
[www.st-systemtronic.com](http://www.st-systemtronic.com)  
[nacional@st-systemtronic.com](mailto:nacional@st-systemtronic.com) · [export@st-systemtronic.com](mailto:export@st-systemtronic.com)  
 tel. 96-1852784 · fax.34-961854482

ASSOCIATED N°00320

**AIDIMME**  
 INSTITUTO TECNOLÓGICO

METALMECÁNICO, MUEBLE, MADERA, EMBALAJE Y AFINES



Calidad Controlada

Sustainability:

Manufacturing materials are 100 % recyclable. The used paints do not contain solvents, do not consume water and do not generate emissions or waste. The result is a lower environmental impact.

