

systemtronic

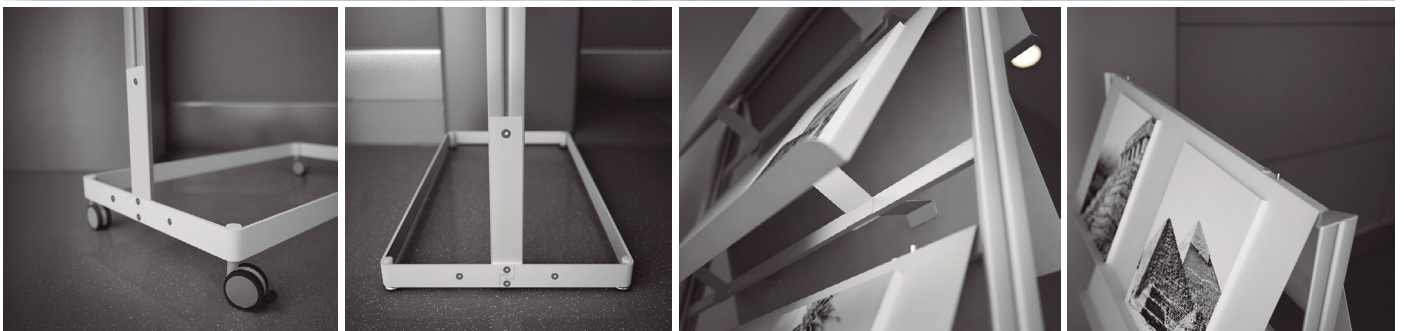
datasheet FLAP



General description:

Collection of vertical display units for magazines, newspapers, catalogs, and promotional brochures. The collection includes three versions: wall-mounted, with adjustable feet, and with wheels. In the two freestanding versions, the shelves can be arranged on one side or on both sides. The structure is made of extruded aluminum with a matte silver anodized finish. The shelves and the base are made of steel with a powder-coated finish.

Designer: STC Studio.
Launch year: 2007.



systemtronic _ Flap
www.st-systemtronic.com
comercial@st-systemtronic.com
 tel. +34 961 852 784

ASSOCIATED N°00320

AIDIMME
 INSTITUTO TECNOLÓGICO

METALMECÁNICO, MUEBLE, MADERA, EMBALAJE Y AFINES



Calidad Controlada

Technical description:

Materials:

- Columns: Aluminum.
- Crossbars: Aluminum.
- Shelves: Steel.
- Base: Steel.

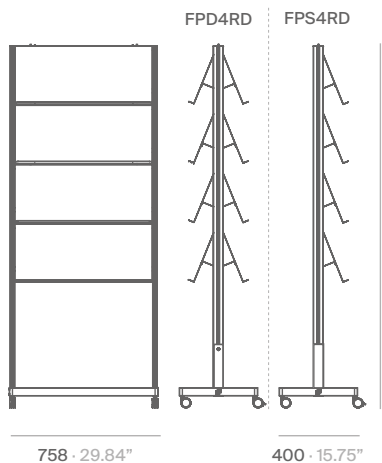
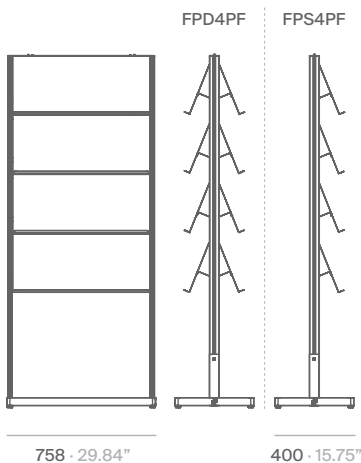
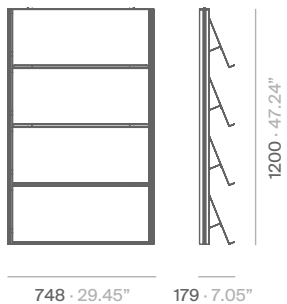


Maximum load per shelf.

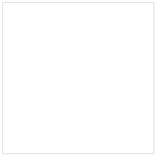
Dimensions:

- FPP4: 748x179x1200 mm
- FPD4PF: 758x400x1800 mm
- FPS4PF: 758x400x1800 mm
- FPD4RD: 758x400x1850 mm
- FPS4RD: 758x400x1850 mm

FPP4



mm · inches

Finishes:

Matte white
RAL 9003



Satin black
RAL 9011



Textured forge grey

Polyester paint.

Consult for special dimensions or any other modification.

Maintenance:

Polyester powder coating:

For dry dirt (dust), use a cloth dampened with water.

For greasy/oily dirt (fingerprints), use a sponge with water and liquid dish detergent (Vim liquid), then wipe with a cloth dampened with water.

Avoid using detergents containing solvents or pure ethyl alcohol.

Aluminium–metal–glass–melamine–plastic materials:

The use of standard commercially available products for delicate surfaces is recommended.

Alcohol, solvents, and abrasive detergents must be strictly avoided.

Sustainability:

The materials used in manufacturing are 100% recyclable. The paints used contain no solvents, do not consume water, and do not generate emissions or discharges. The result is a reduced environmental impact.