

systemtronic
datasheet BURACO



General description:

Wall hangers made of folded and painted steel sheet.
Its design makes it an interesting functional and decorative element.

Designer: Estudio Enblanc.

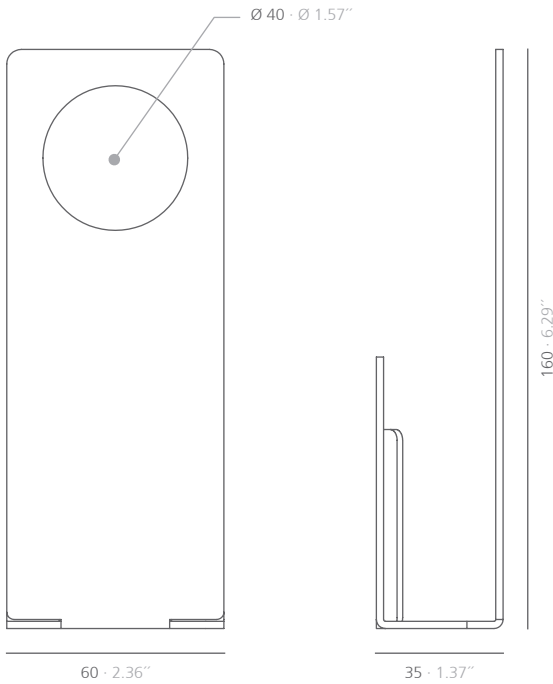
Year of launch: 2013.



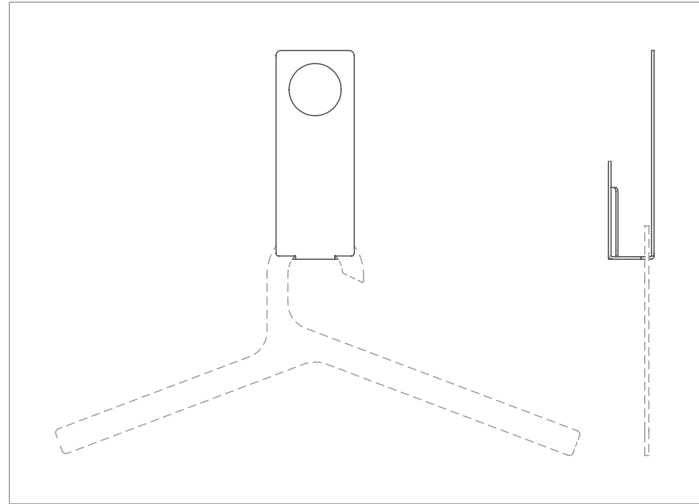
Technical description:

Material: Steel.

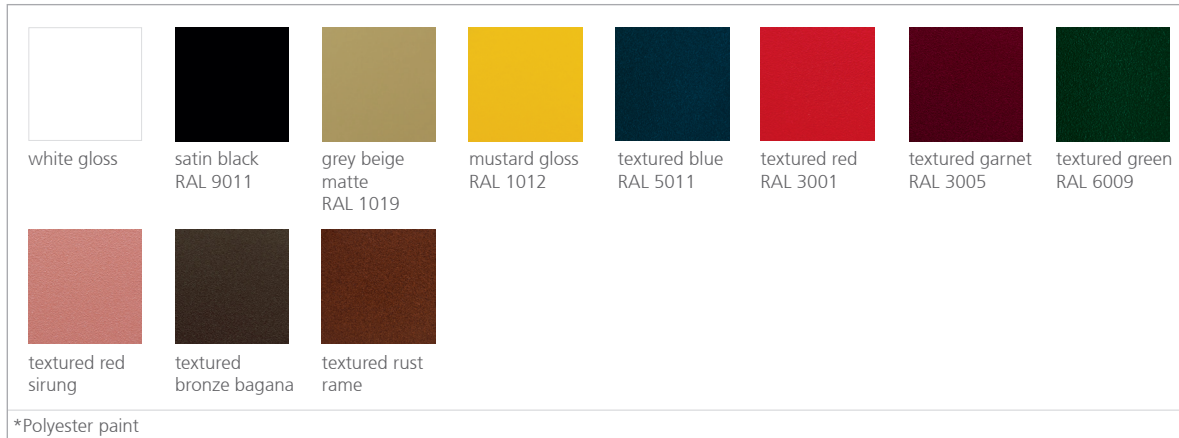
Dimensions: 35x60x160mm 1.37x2.36x6.29 "

BURACO

It allows hanging conventional hangers



mm · inches

Finishes:

Consult for special dimensions or any other modification.

Maintenance:

-Polyester Paint:

For dry dirt (dust), use a damp cloth. For greasy/oily stains (fingerprints), wipe with a sponge with water and dishwashing liquid. Rinse with a damp cloth. Avoid using products containing solvents and/or pure ethyl alcohol.

Sustainability:

Manufacturing materials are 100% recyclable. The used paints do not contain solvents, do not consume water and do not generate emissions or waste. The result is a lower environmental impact.

Assembly:

wall

