

# systemtronic

datasheet INLIN



### General description:

Coat rack composed of two anodized aluminium columns in a matte silver finish. Available in two versions (with casters or adjustable feet) and in various sizes and capacities. The 758 mm wide Inlin allows the integration of height-adjustable metal shelves and a cover for the base.

Designers: STC Studio.

Year of launch: 2010.



**systemtronic** \_ Inlin  
[www.st-systemtronic.com](http://www.st-systemtronic.com)  
[comercial@st-systemtronic.com](mailto:comercial@st-systemtronic.com)  
 tel. +34 961 852 784

ASSOCIATED N°00320

**AIDIMME**  
 INSTITUTO TECNOLÓGICO

METALMECÁNICO, MUEBLE, MADERA, EMBALAJE Y AFINES



Calidad Controlada

**Technical description:**

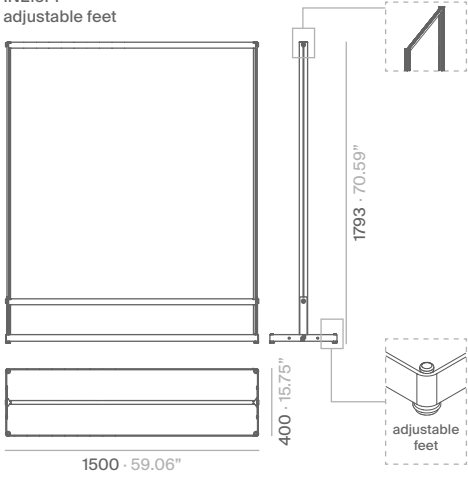
**Materials:**

- INLEST height-adjustable shelf: Steel.
- INLBAS base cover: Steel.
- Bar with multiple fixed hooks (INLD15PF and INLD15RD): Steel.
- Upper crossbar: Chrome-plated steel.
- Lower crossbar: Steel.
- Base: Steel.
- Columns: Extruded aluminum.
- Reinforcements: Steel.

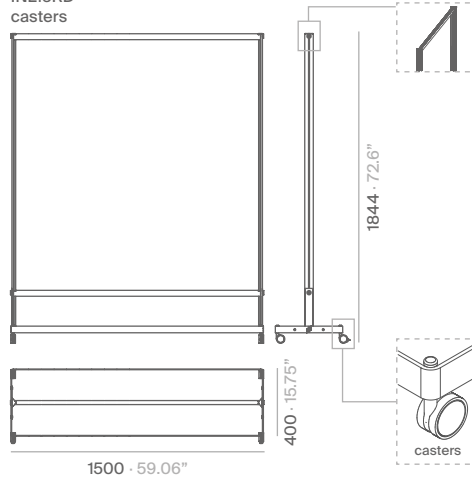
**Dimensions:**

- INL7PF: 758x400x1793mm 29.84x15.75x70.59"
- INL15PF: 1500x400x1793mm 59.06x15.75x70.59"
- INLD15PF: 1500x400x1809mm 59.06x15.75x71.22"
- INL7RD: 758x400x1844mm 29.84x15.75x72.6"
- INL15RD: 1500x400x1844mm 59.06x15.75x72.6"
- INLD15RD: 1500x400x1860mm 59.06x15.75x73.23"

INL15PF  
adjustable feet

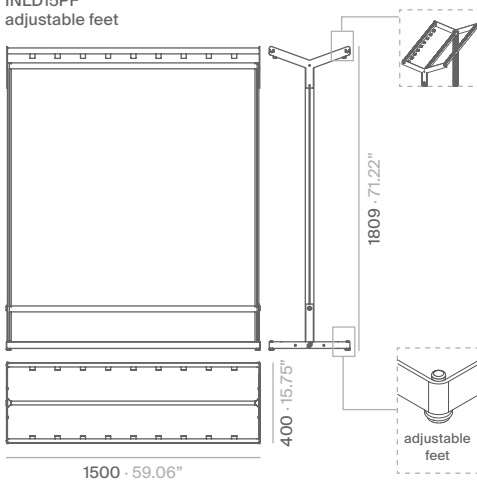


INL15RD  
casters

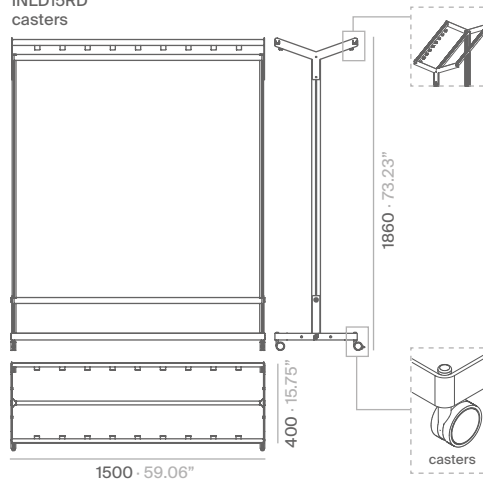


**CAPACITY:**  
20 to 25 winter jackets.

INLD15PF  
adjustable feet

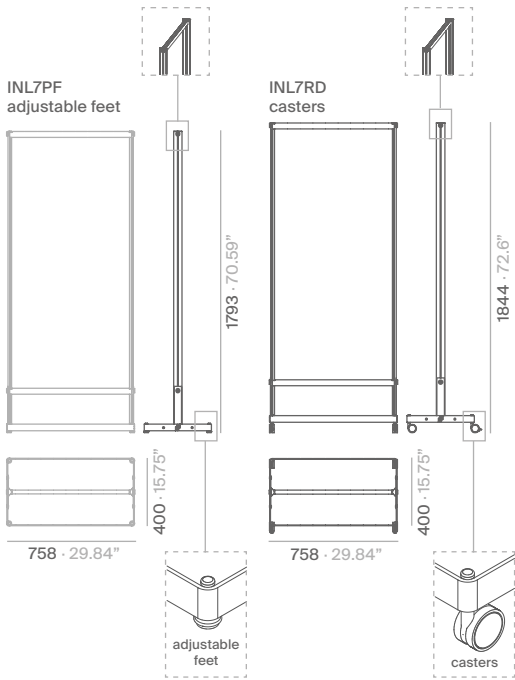


INLD15RD  
casters



**CAPACITY:**  
30 to 35 winter jackets.

mm · inches



**CAPACITY:**  
10 to 15 winter jackets.



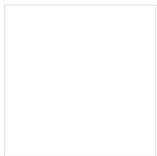
mm · inches

**Finishes:**

Base, lower crossbar, shelf and base cover

Columns

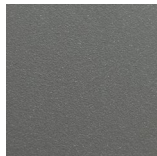
Upper crossbar



Matte white  
RAL 9003



Satin black  
RAL 9011



Textured forge grey



Anodized aluminum



Chrome-plated

Polyester paint.

Consult for special dimensions or any other modification.

**Maintenance:****Polyester powder coating:**

For dry dirt (dust), use a cloth dampened with water.

For greasy/oily dirt (fingerprints), use a sponge with water and liquid dish detergent (Vim liquid), then wipe with a cloth dampened with water.

Avoid using detergents containing solvents or pure ethyl alcohol.

**Aluminium–metal–glass–melamine–plastic materials:**

The use of standard commercially available products for delicate surfaces is recommended.

Alcohol, solvents, and abrasive detergents must be strictly avoided.

**Chrome finish:**

Clean with a soft, damp cloth.

Apply a mild cleaner or diluted detergent if necessary.

Dry the surface completely with a clean, dry cloth.

Avoid using abrasive, acidic, or ammonia-based products, as they may damage the chrome finish.

**Sustainability:**

The materials used in manufacturing are 100% recyclable. The paints used contain no solvents, do not consume water, and do not generate emissions or discharges. The result is a reduced environmental impact.