

systemtronic
datasheet SOU



General description:

Umbrella stand composed by three painted steel panels thought-out for either big or small umbrellas. Two versions are available: standing or on the wall. The base and the middle panel can be painted in a second colour.

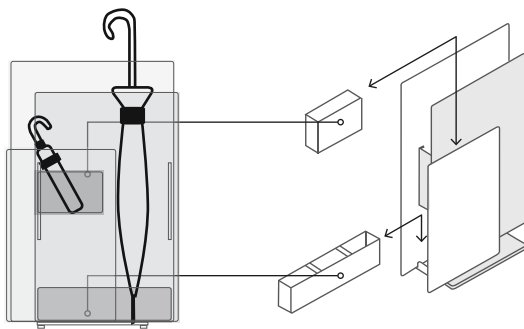
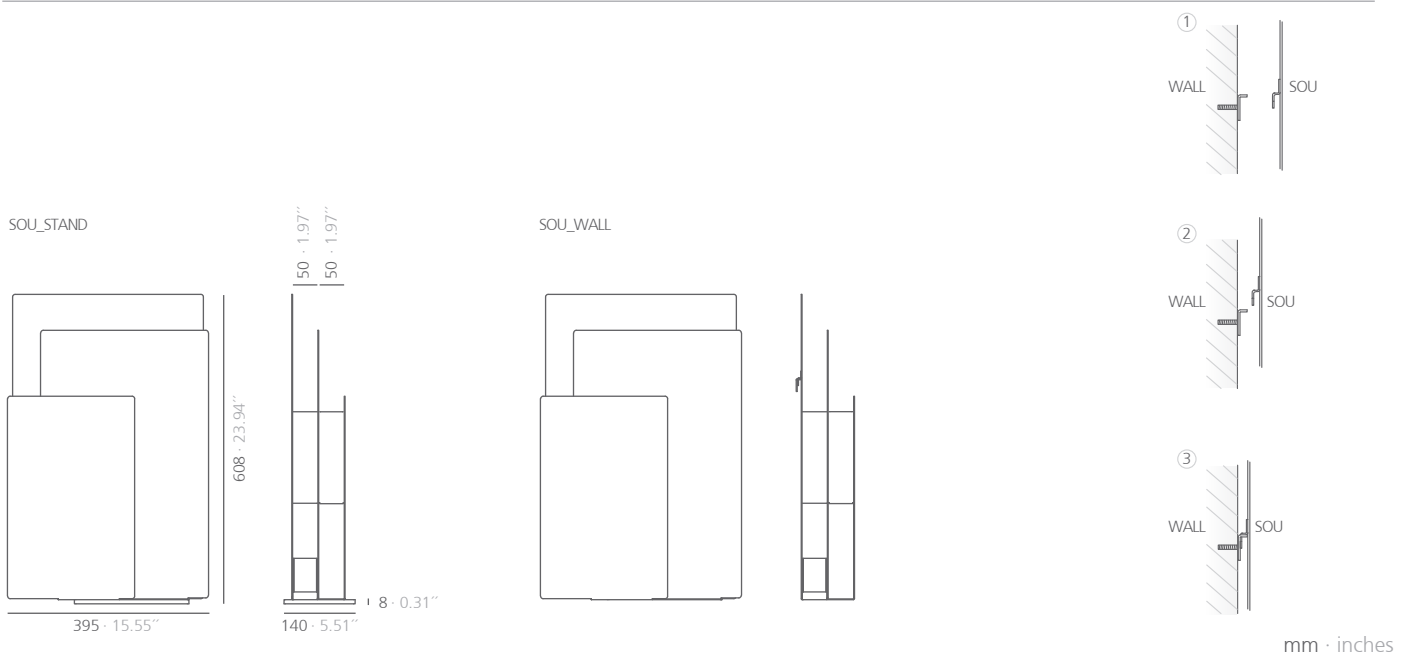
Designer: Tomoya Tabuchi.

Year of launch: 2015.

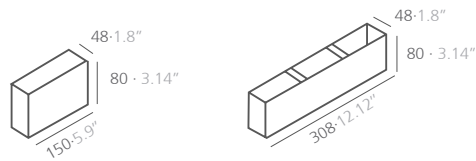


Descripción Técnica:

·Material: galvanized steel.
 ·Dimensions: 395x140x608 mm 15.55x0.79x608"



The SOU includes two removable containers to pick up the water. The smaller one it's located behind the front panel halfway up so the little umbrellas are accessible. The bigger container is located in the lower-inner part of the hind panel so the bigger umbrellas can fit well.



Finishes:

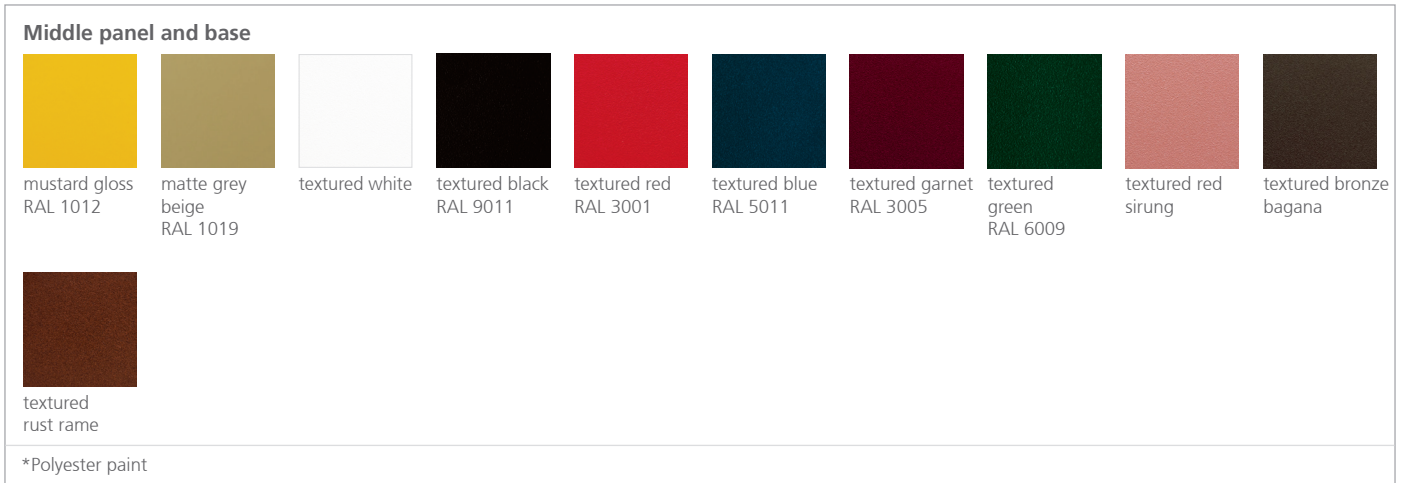
Exterior panels

mustard gloss RAL 1012	matte grey beige RAL 1019	textured white	textured black RAL 9011	textured red RAL 3001	textured blue RAL 5011	textured garnet RAL 3005	textured green RAL 6009	textured red sirung	textured bronze bagana

textured
rust rame

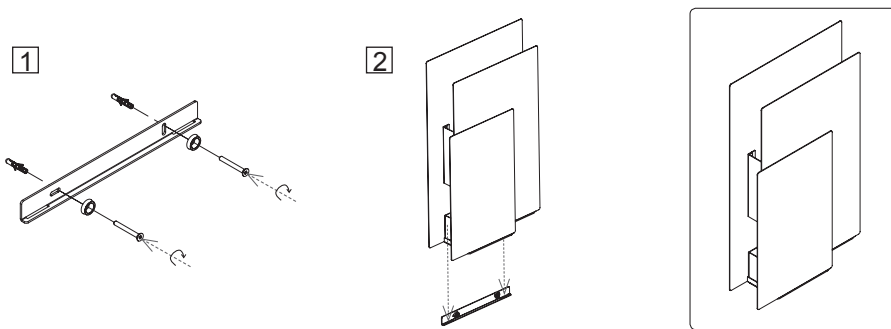
*Polyester paint

Consult for special dimensions or any other modification.



Consult for special dimensions or any other modification.

Assembly Sou to wall:



Maintenance:

-Polyester Paint:

For dry dirt (dust), use a damp cloth. For greasy/oily stains (fingerprints), wipe with a sponge with water and dishwashing liquid. Rinse with a damp cloth. Avoid using products containing solvents and/or pure ethyl alcohol.

-Aluminium-metal-glass-melamine-plastic:

We recommend using normal cleaning products for delicate surfaces. Alcohol, solvents and abrasive agents must be avoided.

Sustainability:

Manufacturing materials are 100% recyclable. The used paints do not contain solvents, do not consume water and do not generate emissions or waste. The result is a lower environmental impact.