

# systemtronic datasheet DROP



General description:

Paper bin that includes in its four sizes a hoop to hide the plastic bag, keeping the elegance of the element. Paper bin and hoop made of galvanized steel. Can be used in roofed exteriors.

Designer: STC Studio.

Year of launch: 2010.



systemtronic \_ Drop  
[www.st-systemtronic.com](http://www.st-systemtronic.com)  
[nacional@st-systemtronic.com](mailto:nacional@st-systemtronic.com) · [export@st-systemtronic.com](mailto:export@st-systemtronic.com)  
 tel. 96-1852784 · fax.34-961854482

ASSOCIATED N°00320

**AIDIMME**  
 INSTITUTO TECNOLÓGICO

METALMECANICO, MUEBLE, MADERA, EMBALAJE Y AFINES



Calidad Controlada

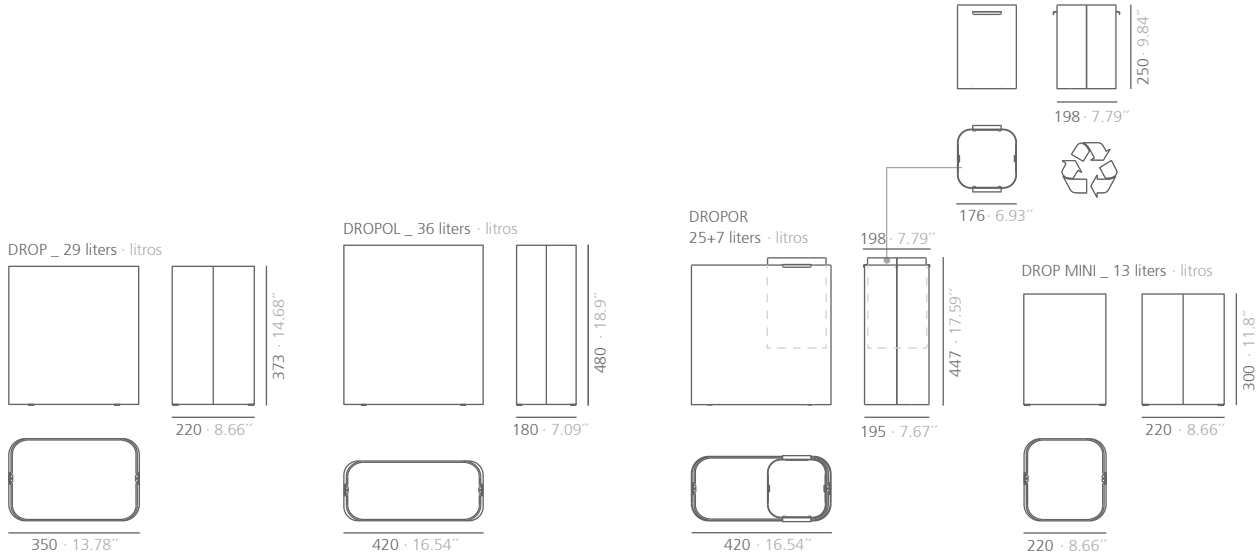
**Technical description:**

**Materials:**

Structure: galvanized steel.  
Ring: galvanized steel.

**Dimensions:**

DROPOR: 420x195x447 16.64x7.67x17.59" Capacity: 25 liters +7 liters.  
 DROP: 350x220x373 mm 13.78x8.66x14.68" Capacity: 29 liters.  
 DROPOL: 420x180x480 mm 16.64x7.09x18.9" Capacity: 36 liters.  
 DROP MINI: 220x220x300 mm 8.66x8.66x11.8" Capacity: 13 litros.



mm · inches

**Finishes:**

**Drop**

textured white	textured forged grey	textured black RAL 9011	textured red RAL 3001	textured blue RAL 5011	textured garnet RAL 3005	textured green RAL 6009	textured red sirung	textured bronze bagana	textured rust rame

\*Polyester paint

**Small box Dropor**

mustard gloss RAL 1012	matte grey beige RAL 1019	textured white	textured forged grey	textured black RAL 9011	textured red RAL 3001	textured blue RAL 5011	textured garnet RAL 3005	textured green RAL 6009	textured red sirung
textured bronze bagana	textured rust rame								

\*Polyester paint

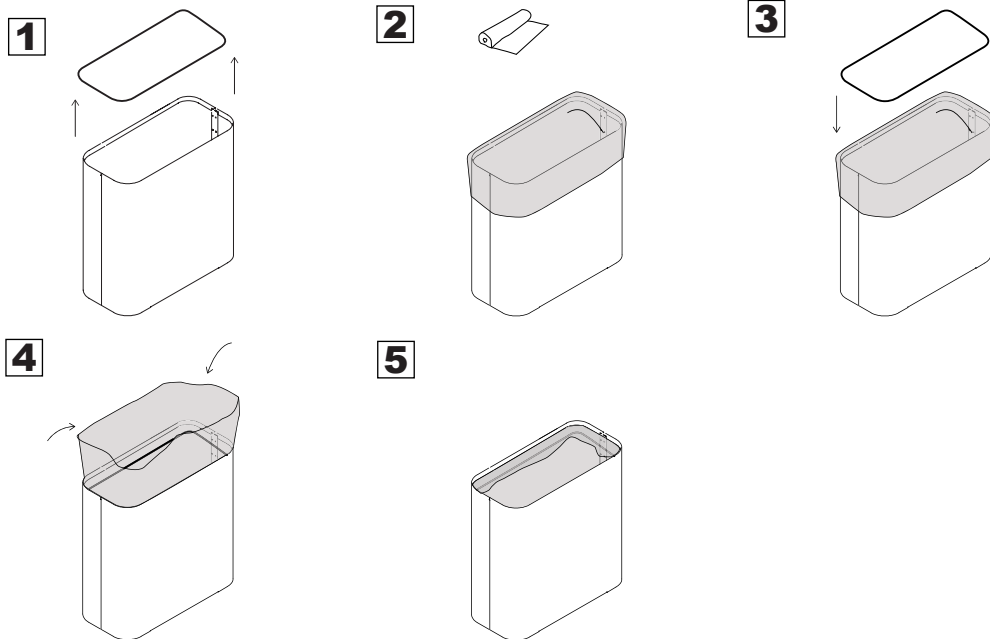
Consult for special dimensions or any other modification.

Maintenance:-Polyester Paint:

For dry dirt (dust), use a damp cloth. For greasy/oily stains (fingerprints), wipe with a sponge with water and dishwashing liquid. Rinse with a damp cloth. Avoid using products containing solvents and/or pure ethyl alcohol.

Sustainability:

Manufacturing materials are 100 % recyclable. The used paints do not contain solvents, do not consume water and do not generate emissions or waste. The result is a lower environmental impact.

How to put the bag:How to put the bag (DROPOR):