

systemtronic  
datasheet GREEN LIGHT



General description:

Following the Green Light concept, the suspended, desktop and wall versions complete the family.

Designer: Mermelada Estudio.

Year of launch: 2012.



Technical description:

**GREENLIGHT\_C:**

- Materials:  
Container: Aluminum.  
Cable: Steel.
- Dimensions: 503x193x168 mm 19.8x7.6x6.61 "

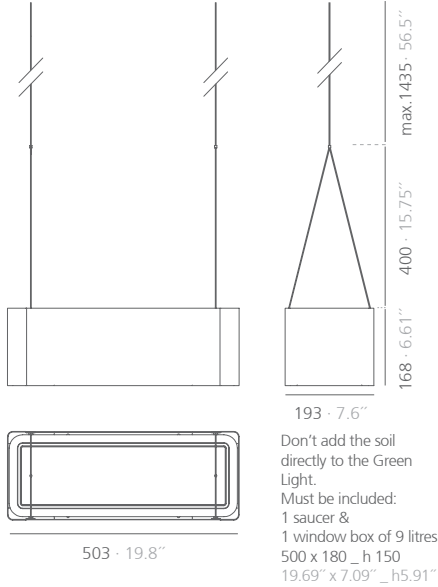
**GREENLIGHT\_T:**

- Materials:  
Container: Aluminum.  
Legs: Estruded aluminum.  
Base: galvanized steel.
- Dimensions: 503x193x225 mm 19.8x7.6x8.86 "

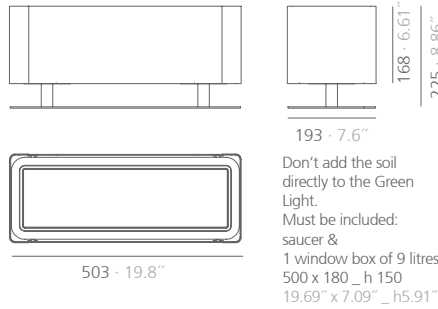
**GREENLIGHT\_P:**

- Materials:  
Container: Aluminum.
- Dimensions: 503x203x172 mm 19.8x7.99x6.77 "

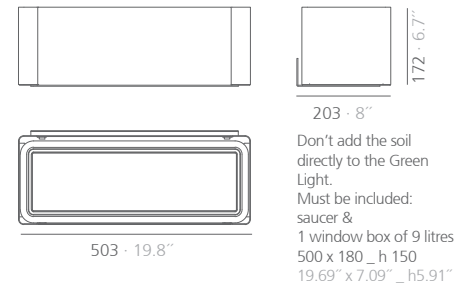
GREEN LIGHT\_C



GREEN LIGHT\_T

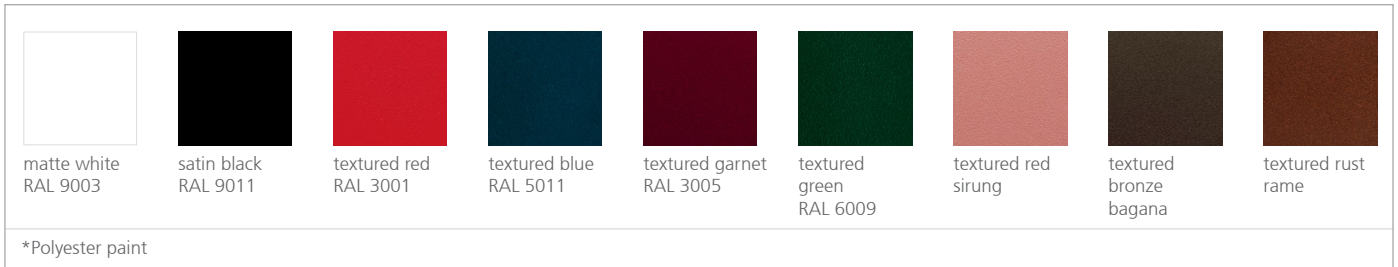


GREEN LIGHT\_P



mm · inches

FINISHES:



Consult for special dimensions or any other modification.

Maintenance:

-Polyester Paint:

For dry dirt (dust), use a damp cloth. For greasy/oily stains (fingerprints), wipe with a sponge with water and dishwashing liquid. Rinse with a damp cloth. Avoid using products containing solvents and/or pure ethyl alcohol.

-Aluminium-metal-glass-melamine-plastic:

We recommend using normal cleaning products for delicate surfaces. Alcohol, solvents and abrasive agents must be avoided.

Sustainability:

Manufacturing materials are 100 % recyclable. The used paints do not contain solvents, do not consume water and do not generate emissions or waste. The result is a lower environmental impact.

Assembly:

