

systemtronic
datasheet CELES



General description:

Set of tables of different heights and board sizes, combinable with each other.

Two versions available: for covered outdoor areas, fully produced in aluminum and for indoor with MDF tabletop, natural oak or HPL finished and steel tube legs.

Designer: Víctor Carrasco.

Year of launch: 2014.



Technical description:

Celes for covered outdoor areas:

Materials: aluminum lacquered with thermoset polyester powder coat paint.

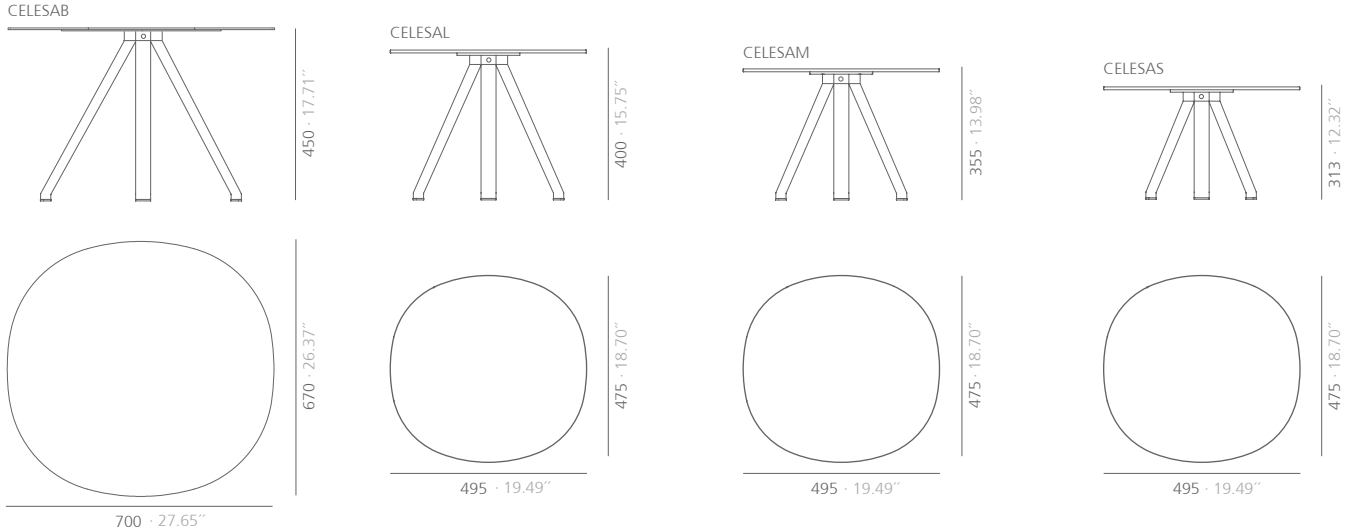
Dimensions: CELESAB: 700x670x450mm 27.55"x26.37"x17.71"; CELESAL: 495x475x400mm 19.48"x18.7"x15.74"; CELESAM: 495x475x355mm 19.48"x18.7"x13.97"; CELESAS: 495x475x313mm 19.48"x18.7"x12.32"

Celes for indoor:

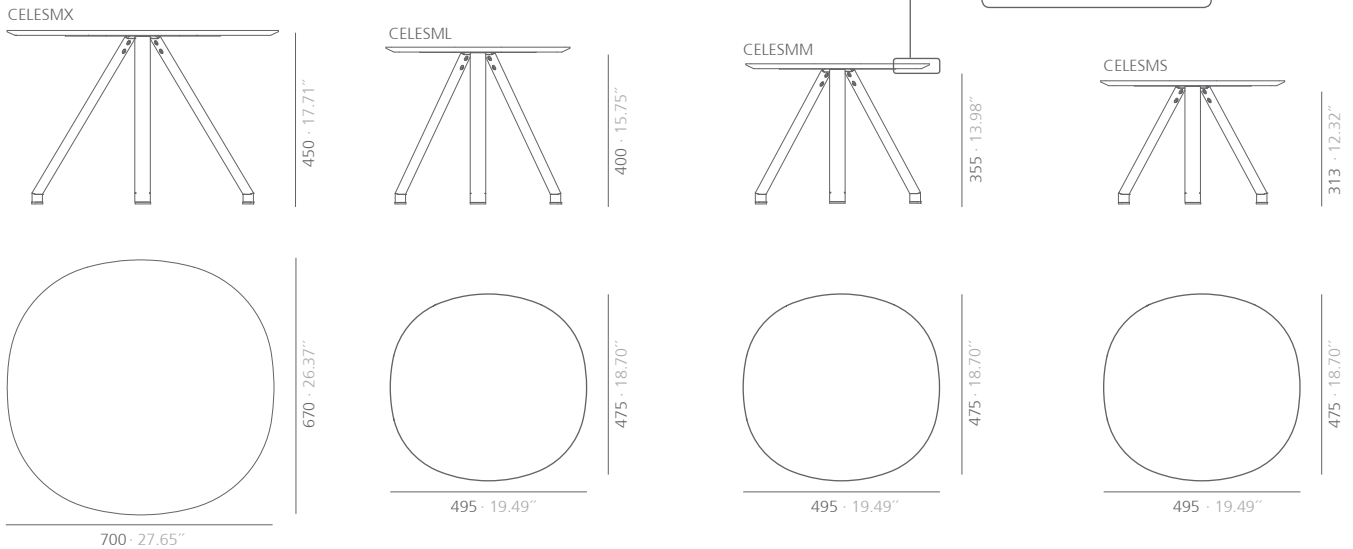
Materials: MDF tabletop of total thickness 12mm with straight edge of 4mm, finished in matte natural oak or HPL (black or white) with steel tube legs lacquered with thermoset polyester powder coat paint.

Dimensions: CELESMX: 700x670x450mm 27.55"x26.37"x17.71"; CELESML: 495x475x400mm 19.48"x18.7"x15.74"; CELESMM: 495x475x355mm 19.48"x18.7"x13.97"; CELESMS: 495x475x313mm 19.48"x18.7"x12.32"

CELES FOR COVERED OUTDOOR
aluminum







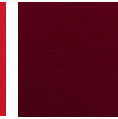
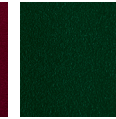

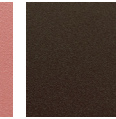
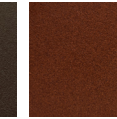


CELES FOR INDOOR
MDF tabletop and steel tube legs



mm · inches

Finishes:

										
matte white RAL 9003	satin black RAL 9011	matte grey beige RAL 1019	mustard gloss RAL 1012	textured blue RAL 5011	textured red RAL 3001	textured garnet RAL 3005	textured green RAL 6009	textured red sirung	textured bronze bagana	textured rust rame
*Polyester paint										

Finishes:

Legs:			Table top:		
					
matte white RAL 9003	satin black RAL 9011	matte grey beige RAL 1019	white soft	black soft	matte oak
*Polyester paint					

Consult for special dimensions or any other modification.

Maintenance:

-Wood:

We recommend using a cloth or cleaning products for natural wood. Avoid using products containing solvents and/or alcohol.

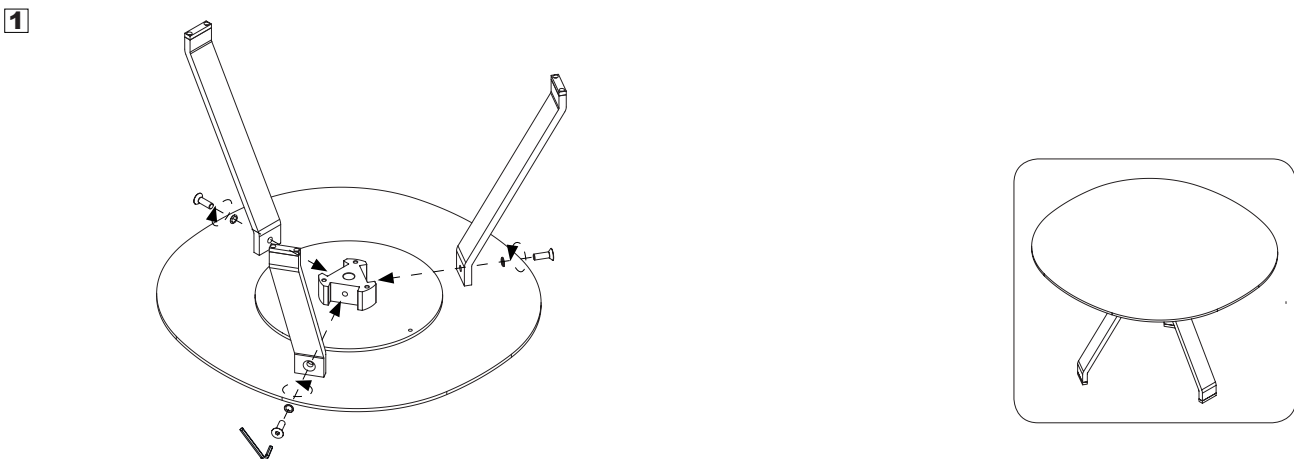
-Polyester Paint:

For dry dirt (dust), use a damp cloth. For greasy/oily stains (fingerprints), wipe with a sponge with water and dishwashing liquid. Rinse with a damp cloth. Avoid using products containing solvents and/or pure ethyl alcohol.

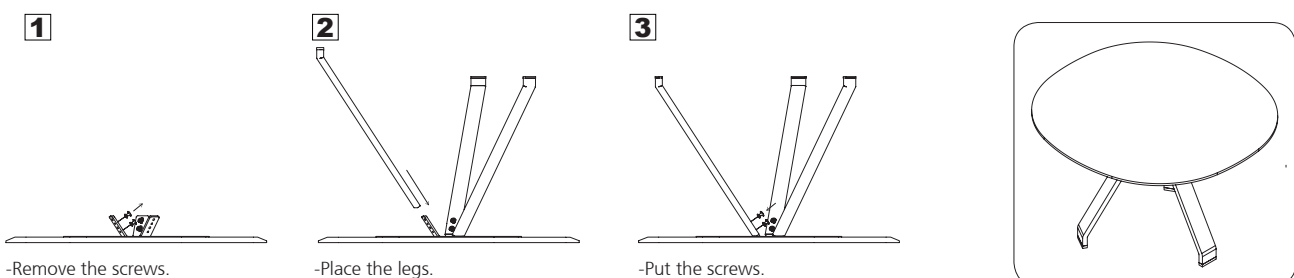
-Aluminum-metal-glass-melamine-plastic:

We recommend using normal cleaning products for delicate surfaces. Alcohol, solvents and abrasive agents must be avoided.

Ceas for covered outdoor areas assembly:



Ceas for indoor areas assembly:



Sustainability:

Manufacturing materials are 100 % recyclable. The used paints do not contain solvents, do not consume water and do not generate emissions or waste. The result is a lower environmental impact.