

systemtronic

datasheet SOU



General description:

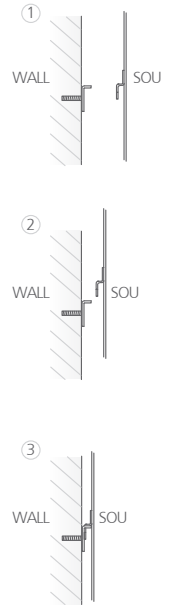
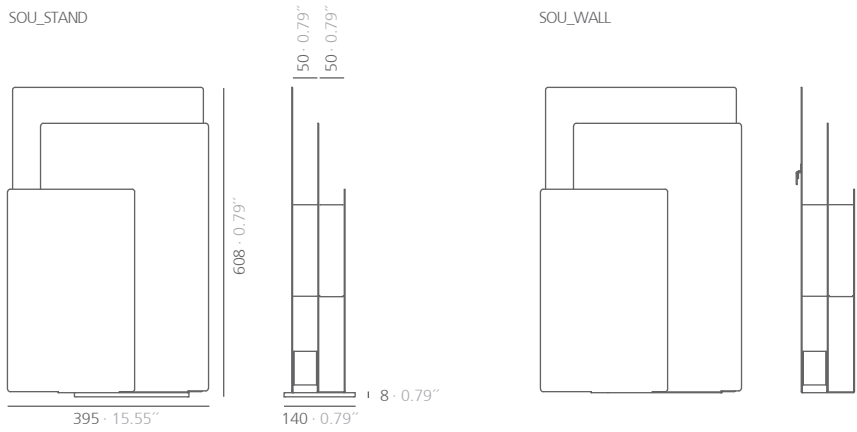
Umbrella stand composed by three painted steel panels thought-out for either big or small umbrellas. Two versions are available: standing or on the wall. The base and the middle panel can be painted in a second colour.

Designer: Tomoya Tabuchi.

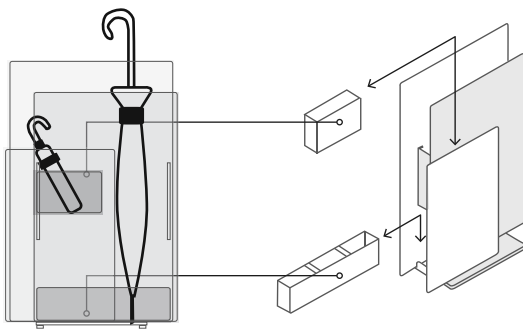


Descripción Técnica:

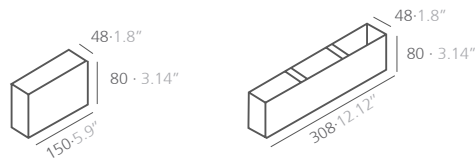
·Material: galvanized steel
 ·Dimensions: 395x140x608mm 15.55x0.79x608"



SI units: mm and inches.



The SOU includes two removable containers to pick up the water. The smaller one it's located behind the front panel halfway up so the little umbrellas are accessible. The bigger container is located in the lower-inner part of the hind panel so the bigger umbrellas can fit well.

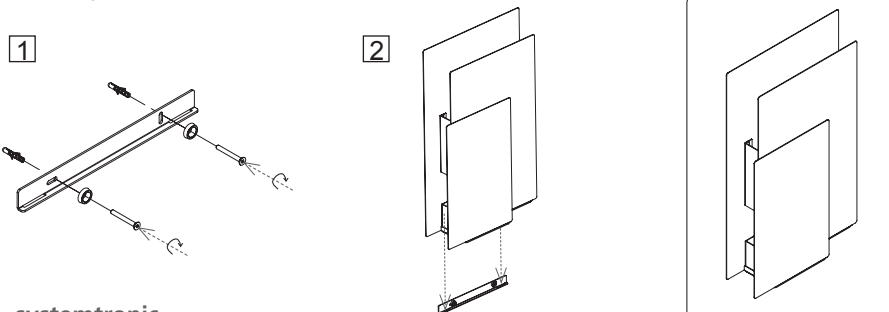


Finishes:

Exterior panels		Middle panel and base			
textured white	textured black RAL 9011	mustard gloss RAL 1012	grey beige gloss RAL 1019	textured white	textured black RAL 9011
*Polyester paint					

Consult for special dimensions or any other modification.

Assembly Sou to wall:



systemtronic _sou
 www.st-systemtronic.com
 nacional@st-systemtronic.com · export@st-systemtronic.com
 tel. 96-1852784 · fax.34-961854482

Maintenance:

-Polyester Paint:

For dry dirt (dust), use a damp cloth. For greasy/oily stains (fingerprints), wipe with a sponge with water and dishwashing liquid. Rinse with a damp cloth. Avoid using products containing solvents and/or pure ethyl alcohol.

-Aluminium-metal-glass-melamine-plastic:

We recommend using normal cleaning products for delicate surfaces. Alcohol, solvents and abrasive agents must be avoided.