

systemtronic
datasheet NASKI



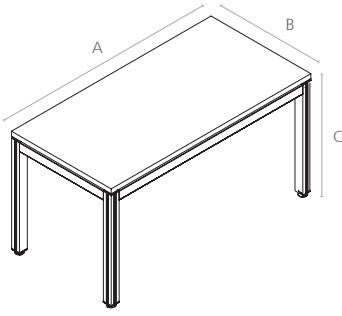
General description:

Anodized silver matt aluminium structure (consult for painted structure).
2 different legs: Squared feet or adjustable feet.

Designer: STC Studio.

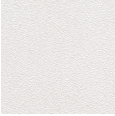
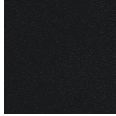
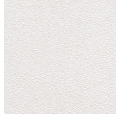
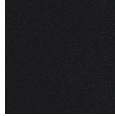


Dimensions:



A		B		C	
mm	"	mm	"	mm	"
1600	62.99	800	31.50	740	29.13
1800	70.87	600	23.62	740	29.13
1800	70.87	800	31.50	740	29.13

Top:

Melamine chipboard tabletop		Outdoor version: HPL tabletop	
			
white soft	black soft	white soft	black soft

Finishes:

