

systemtronic

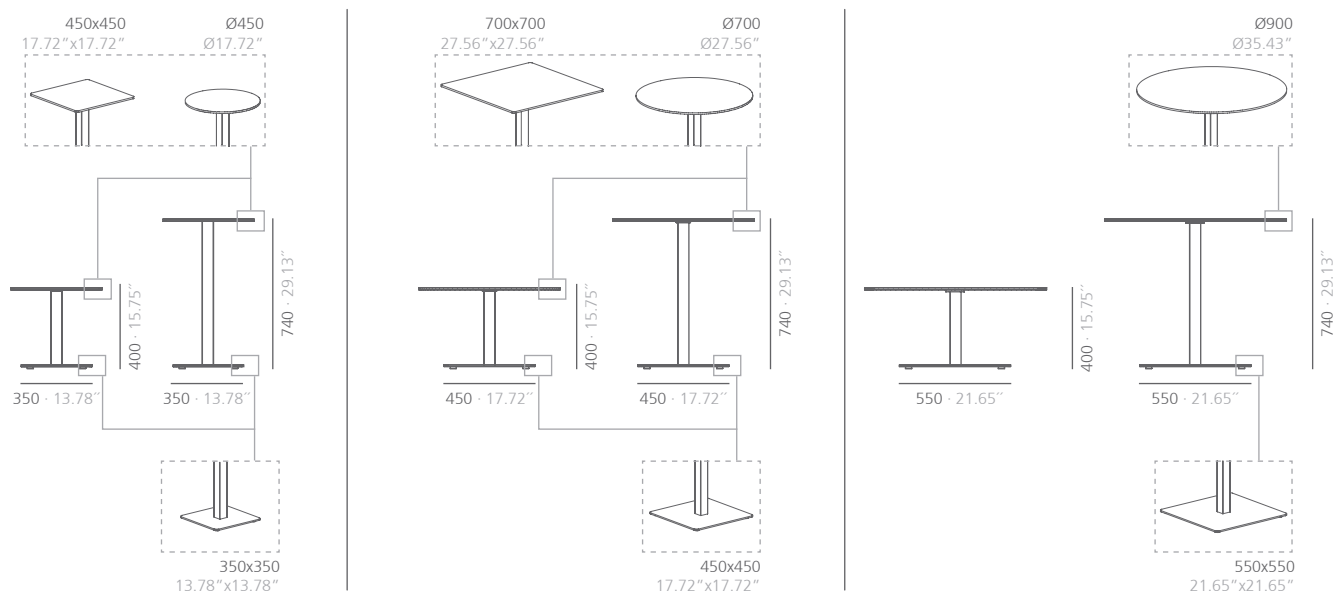
datasheet BADA





HPL TOP

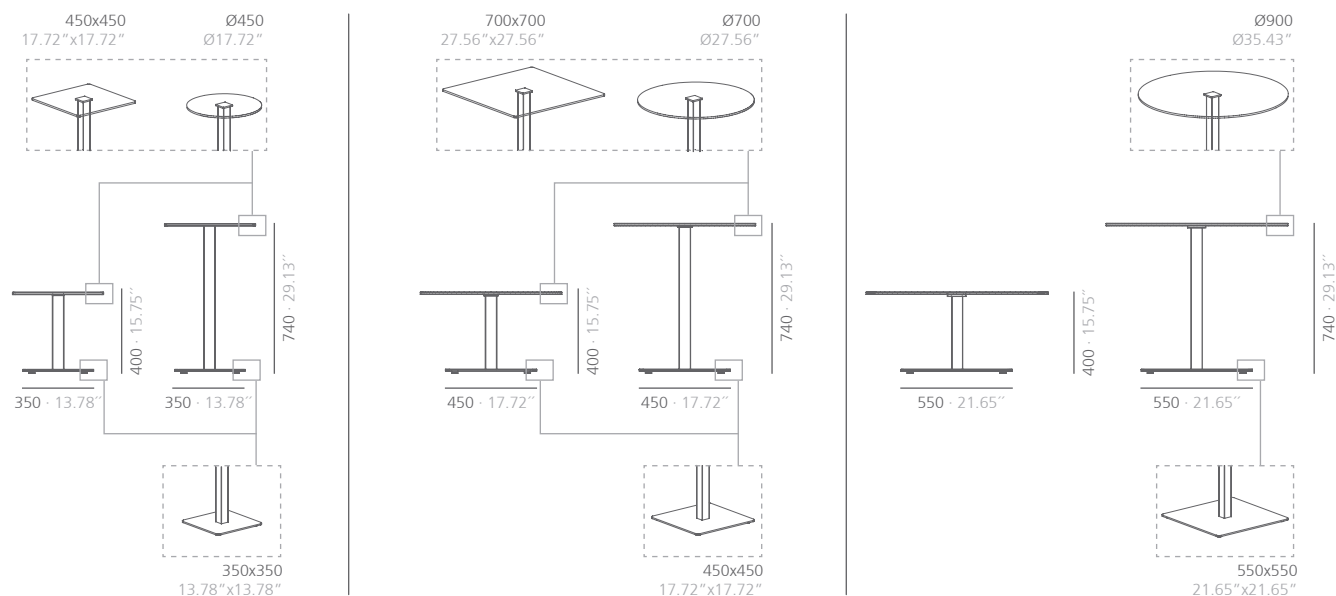
Large collection of tables with white or black compact HPL (High Pressure Laminated) tops, extruded aluminium columns, and squared steel bases covered with paint, onto a primer coat: white, black or forged gray. There are three different table heights and two shapes of table tops, squared and round, with three dimensions.



SI units: mm and inches.

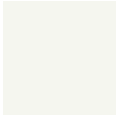
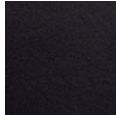
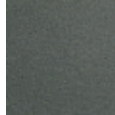
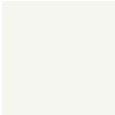
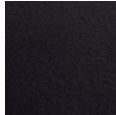
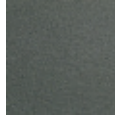

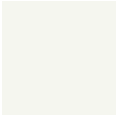


GLASS TOP

Large collection of tables with tempered glass table tops, extruded aluminium columns, and squared steel bases covered with polyester paint, onto a primer coat: white, black or forged gray. There are three different table heights and two shapes of table tops, squared and round, with three dimensions.



SI units: mm and inches.

Finishes:

Base	Column	Top
 <p>white gloss</p>  <p>satin black RAL 9011</p>  <p>textured forged grey</p>	 <p>white gloss</p>  <p>satin black RAL 9011</p>  <p>textured forged grey</p>  <p>anodized aluminium</p>	 <p>white soft</p>  <p>black soft</p>  <p>tempered glass</p>
<p>*Polyester paint</p>		

Consult for special dimensions or any other modification.

Maintenance:

-Polyester Paint:

For dry dirt (dust), use a damp cloth. For greasy/oily stains (fingerprints), wipe with a sponge with water and dishwashing liquid. Rinse with a damp cloth. Avoid using products containing solvents and/or pure ethyl alcohol.

-Aluminium-metal-glass-melamine-plastic:

We recommend using normal cleaning products for delicate surfaces. Alcohol, solvents and abrasive agents must be avoided.