

# systemtronic

datasheet USIO



General description:

Usio shelving collection stands out for its clean and elegant line in all versions, perfect for small spaces. Bookcase formed by an aluminium column with an anodized silver matt finish and painted steel shelves.

Designer: STC Studio



**Technical description:**

**SINGLE WALL HANGED**

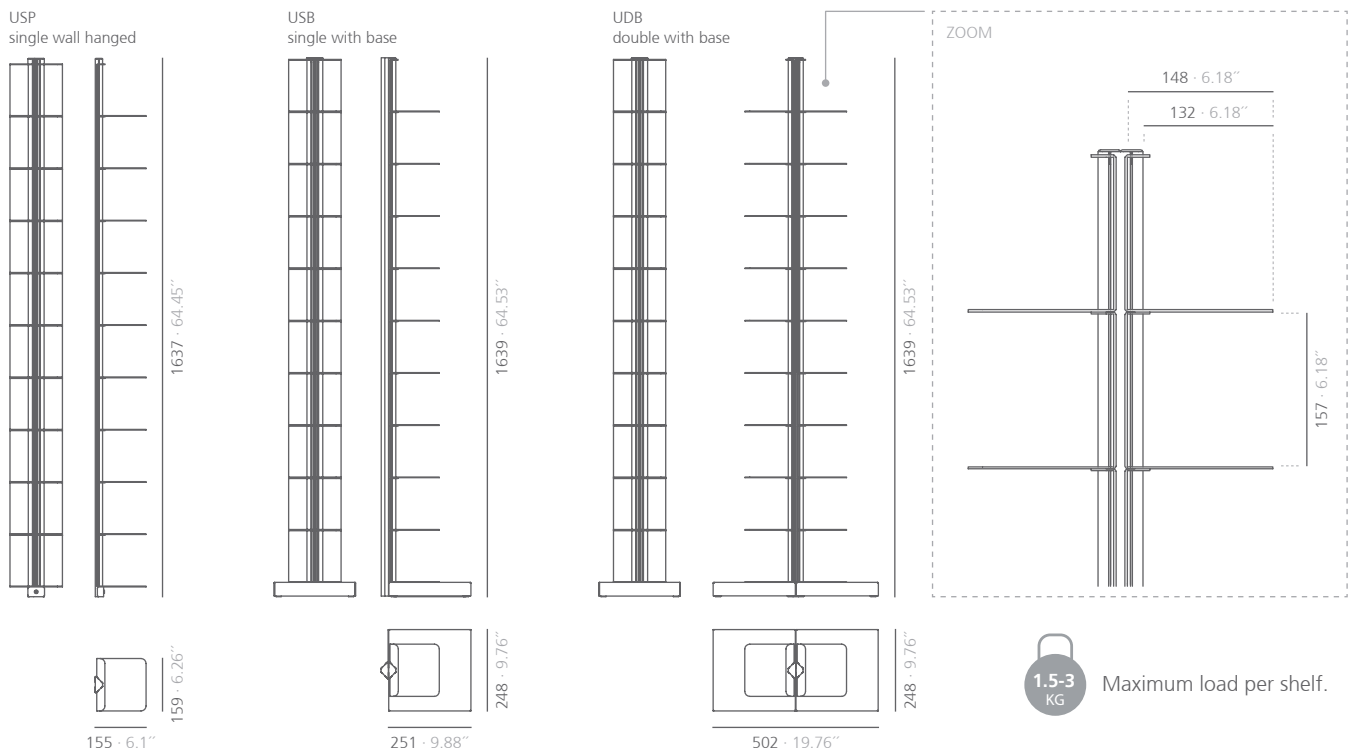
·Material:  
Shelves: Steel.  
Central structure: Aluminum.  
·Dimensions: 155x159x1637mm  
6.1x6.26x64.45"

**SINGLE WITH BASE**

·Material:  
Shelves and base: Steel.  
Central structure: Aluminum.  
·Dimensions: 251x248x1639mm  
9.88x9.76x64.53"

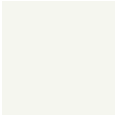
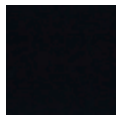
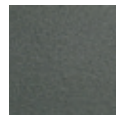

**DOUBLE WITH BASE**

·Material:  
Shelves and base: Steel.  
Central structure: Aluminum.  
·Dimensions: 502x248x1639mm  
19.76x9.76x64.63"



SI units: mm and inches

**Finishes:**

Shelves and base			Column
			
matte white RAL 9003	satin black RAL 9011	textured forged grey	anodized aluminum
*Polyester paint			

Consult for special dimensions or any other modification.

**Maintenance:**

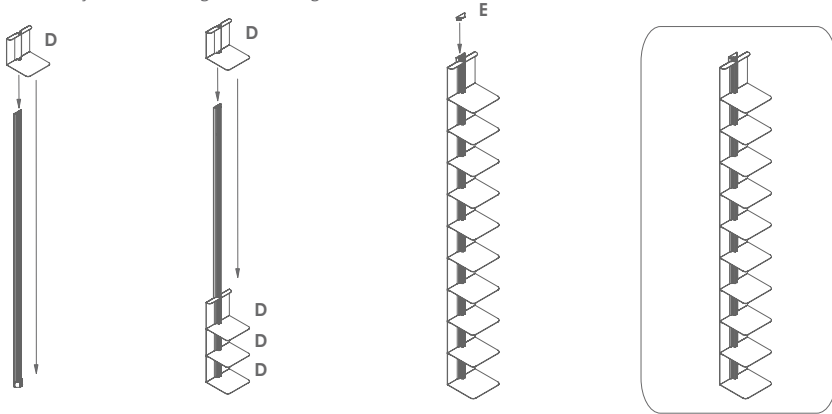
**-Polyester Paint:**

For dry dirt (dust), use a damp cloth. For greasy/oily stains (fingerprints), wipe with a sponge with water and dishwashing liquid. Rinse with a damp cloth. Avoid using products containing solvents and/or pure ethyl alcohol.

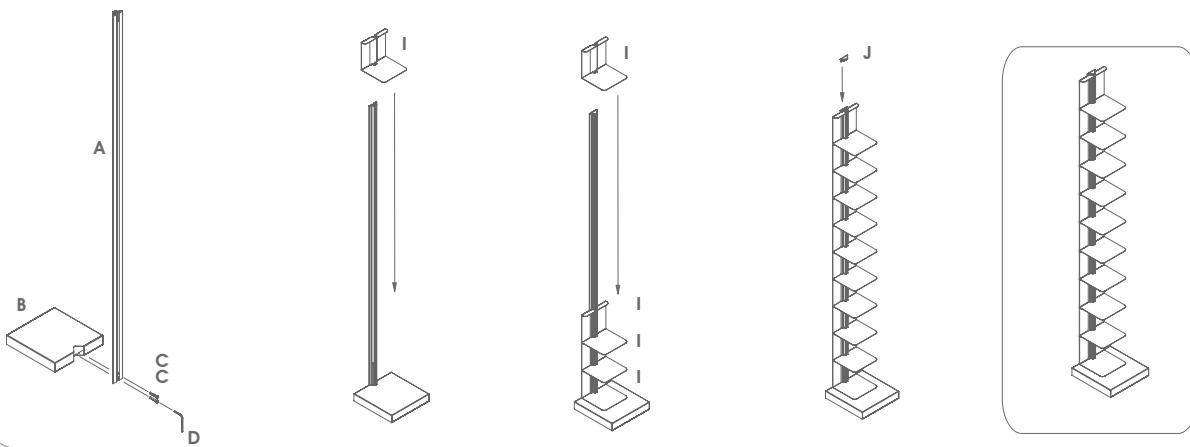
**-Aluminium-metal-glass-melamine-plastic:**

We recommend using normal cleaning products for delicate surfaces. Alcohol, solvents and abrasive agents must be avoided.

Assembly for Usio single wall hung



Assembly for Usio single with base



Assembly for Usio double with base

