

# systemtronic

datasheet PARBAN



General description:

Elegant and minimalist metallic room divider with oak feet, composed by rectangular structure of triangular section which frames a metal mesh. Available in different colors and sizes.

Designer: Victor Carrasco.



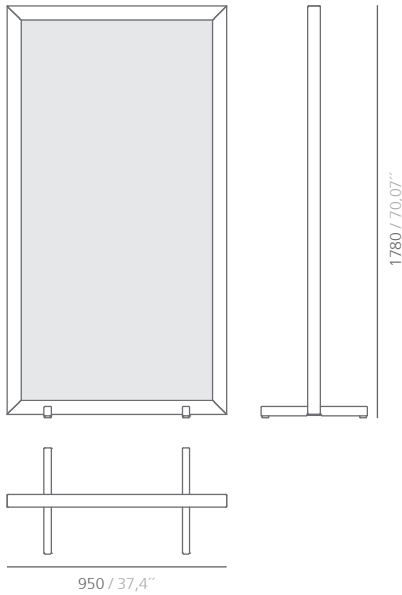
**Technical description:****Material:**

Structure: Extruded aluminium profile.  
 Expanded mesh: Aluminium.  
 Legs: two galvanized steel platens covered with natural oak wood.

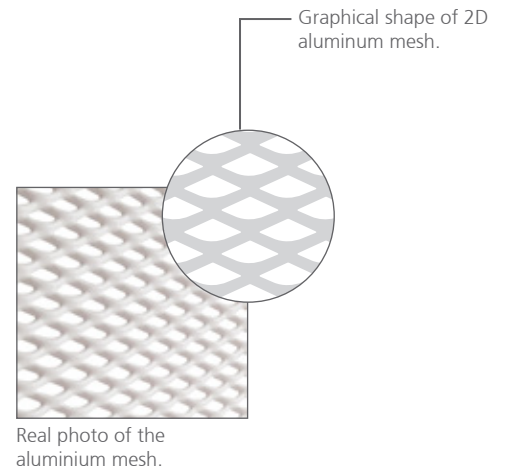
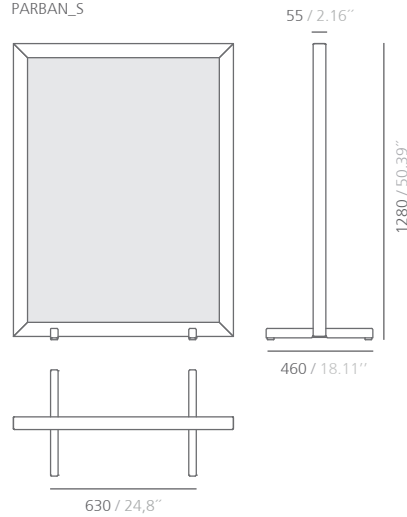
**Dimensions:**

PARBAN\_L: 950x460X1780 mm 37.40"x18.11"x70.07"  
 PARBAN\_S: 950x460X1280 mm 37.40"x18.11"x50.39"

PARBAN\_L

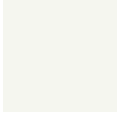
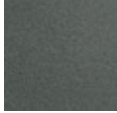





PARBAN\_S



SI units: mm and inches

**Finishes:**

Structure and mesh				Legs
				
matte white RAL 9003	textured forged grey	satin black RAL 9011	grey beige gloss RAL 9011	matte oak
*Polyester paint				

Consult for special dimensions or any other modification.

**Maintenance:****-Wood:**

We recommend using a cloth or cleaning products for natural wood. Avoid using products containing solvents and/or alcohol.

**-Polyester Paint:**

For dry dirt (dust), use a damp cloth. For greasy/oily stains (fingerprints), wipe with a sponge with water and dishwashing liquid. Rinse with a damp cloth. Avoid using products containing solvents and/or pure ethyl alcohol.

**-Aluminium-metal-glass-melamine-plastic:**

We recommend using normal cleaning products for delicate surfaces. Alcohol, solvents and abrasive agents must be avoided.