

systemtronic
datasheet NANAME



General description:

Naname is the coat stand which represents the moment when the bamboo that is being cut off with a sword, slipping down. Manufactured in steel.

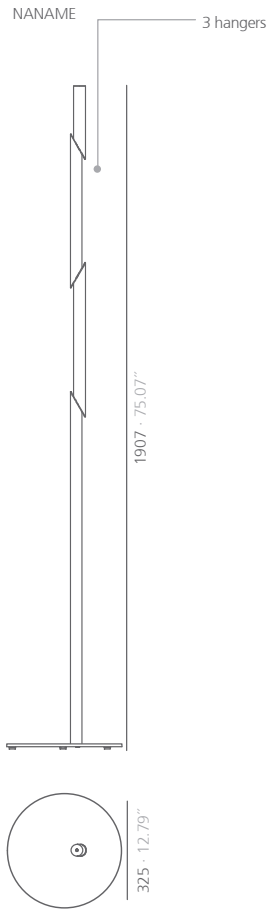
Designer: Kodai Iwamoto.



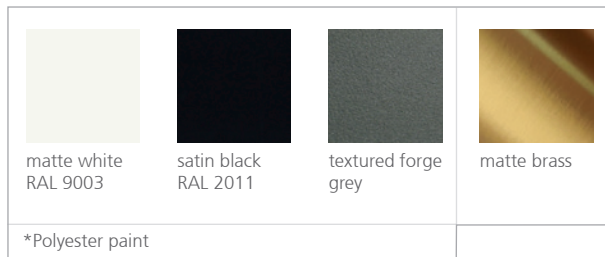
Technical description:

Material: Steel.

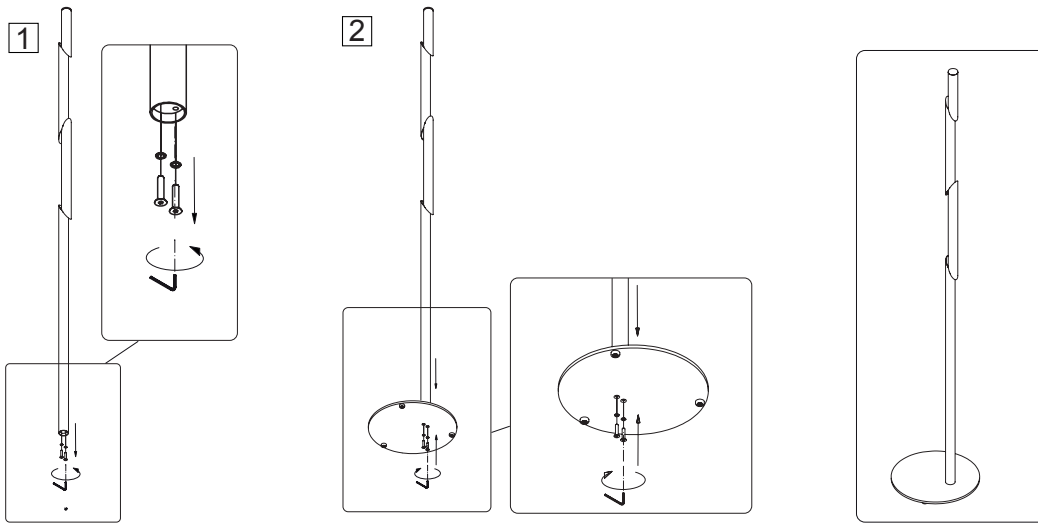
Dimensions: 325x325x1907 mm 12.79x12.79x75.07"



SI units: mm and inches

Finishes:

Consult for special dimensions or any other modification.

Assembly:Maintenance:

-Polyester Paint:

For dry dirt (dust), use a damp cloth. For greasy/oily stains (fingerprints), wipe with a sponge with water and dishwashing liquid. Rinse with a damp cloth. Avoid using products containing solvents and/or pure ethyl alcohol.